

- Very compact metal cased power supplies
- High operating temperature up to 70°C
- Screw terminal block
- No internal fan
- Universal AC input, full range
- Active power factor correction >0.95
- Withstand 300 VAC surge input for 5 s
- Adjustable output voltage
- 3-year product warranty



The TXM 150 series of 150 Watt is a family of enclosed AC/DC power supplies designed for cost critical applications. With a low profile metal case and screw terminal block connections, they are easy to install in any equipment. There are four models of single output voltages from 12 VDC to 48 VDC. These power supplies have universal input and comply with European EMC standards and the Low Voltage Directive (LVD).

Models				
Order Code	Output Power max.	Output Voltage nom. (adjustable)	Output Current max.	Efficiency typ.
TXM 150-112	150 W	12 VDC (10.8 - 13.2 VDC)	12'500 mA	86 %
TXM 150-115		15 VDC (13.5 - 16.5 VDC)	10'000 mA	87 %
TXM 150-124	151 W	24 VDC (21.6 - 26.4 VDC)	6'300 mA	88 %
TXM 150-148	154 W	48 VDC (43.2 - 52.8 VDC)	3'200 mA	88 %

Input Specifications

Input Voltage	- AC Range	Operational Range: 85 - 264 VAC (Full Range) Rated Range: 100 - 240 VAC (Full Range)
	- DC Range	Operational Range: 120 - 375 VDC (Designed for, no certification) Polarity: irrelevant (Surge voltage (5 s max.): 300 VAC max.)
Input Frequency		Operational Range: 47 - 63 Hz Certified: 50/60 Hz
Power Consumption	- No load & Vin = 230 VAC	5'600 mW max.
	- No load & Vin = 115 VAC	4'400 mW max.
Input Current	- Full load & Vin = 115 VAC	2'000 mA max.
Input Inrush Current	- At 230 VAC	45 A max.
	- At 115 VAC	30 A max.
Power Factor	- At 230 VAC	0.95 min. (Active Power Factor Correction)
	- At 115 VAC	0.98 min. (Active Power Factor Correction)
Recommended Input Fuse		(The need of an external fuse has to be assessed in the final application.)

Output Specifications

Output Voltage Adjustment		±10% (By trim potentiometer) Output power must not exceed rated power!
Voltage Set Accuracy		±2% max.
Regulation	- Input Variation (Vmin - Vmax)	0.5% max.
	- Load Variation (0 - 100%)	1% max. (24 & 48 VDC models) 2% max. (12 & 15 VDC models)
Ripple and Noise (20 MHz Bandwidth)		100 mVp-p max. (w/ 0.1 µF 10 µF)
Minimum Load		Not required
Temperature Coefficient		±0.03 %/K max.
Hold-up Time	- At 230 VAC	10 ms min.
Start-up Time	- At 230 VAC	2'000 ms max.
	- At 115 VAC	3'000 ms max.
Start-up Overshoot Voltage		5% max.
Short Circuit Protection		Continuous, Automatic recovery
Output Current Limitation		105 - 170% of Iout max.
Oversvoltage Protection		110 - 150% of Vout nom.
Transient Response	- Response Deviation	5% max. (75% to 100% Load Step)
	- Response Time	400 µs typ. (75% to 100% Load Step)

Safety Specifications

Standards	- IT / Multimedia Equipment	EN 60950-1 EN 62368-1 IEC 60950-1 IEC 62368-1 UL 60950-1 UL 62368-1
	- Certification Documents	www.tracopower.com/overview/txm150
Protection Class		Class I (Prepared): Connection to PE
Pollution Degree		PD 2
Over Voltage Category		OVC II

All specifications valid at 230 VAC, resistive full load and +25°C after warm-up time, unless otherwise stated.

EMC Specifications

EMI (Emissions)	- Conducted Emissions	EN 55032 class B (internal filter)
	- Radiated Emissions	EN 55032 class B (internal filter)
	- Harmonic Current Emissions	EN 61000-3-2, class A
	- Voltage Fluctuations & Flicker	EN 61000-3-3
EMS (Immunity)		EN 55024 (IT Equipment)
		EN 55035 (Multimedia)
	- Electrostatic Discharge	Air: EN 61000-4-2, ± 8 kV, perf. criteria B Contact: EN 61000-4-2, ± 4 kV, perf. criteria B
	- RF Electromagnetic Field	EN 61000-4-3, 3 V/m, perf. criteria A
	- EFT (Burst) / Surge	EN 61000-4-4, ± 1 kV, perf. criteria B
		L to L: EN 61000-4-5, ± 1 kV, perf. criteria B
		L to PE: EN 61000-4-5, ± 2 kV, perf. criteria B
	- Conducted RF Disturbances	EN 61000-4-6, 3 Vrms, perf. criteria A
	- PF Magnetic Field	Continuous: EN 61000-4-8, 1 A/m, perf. criteria A
	- Voltage Dips & Interruptions	230 VAC / 50 Hz: EN 61000-4-11 30%, 25 periods, perf. criteria C >95%, 0.5 periods, perf. criteria B >95%, 250 periods, perf. criteria C

General Specifications

Relative Humidity		90% max. (non condensing)
Temperature Ranges	- Operating Temperature	-10°C to +70°C
	- Storage Temperature	-30°C to +85°C
Power Derating	- High Temperature	1.67 %/K above 40°C (12, 24 VDC models) 1.33 %/K above 40°C (15, 48 VDC models)
	- Low Input Voltage	0.83 %/V below 115 VAC (48 VDC model) 1.33 %/K below 120VAC (other models)
Over Temperature Protection Switch Off	- Protection Mode	100°C to 110°C (Automatic recovery at 50°C typ.)
Cooling System		Natural convection (20 LFM)
Altitude During Operation		5'000 m max.
Regulator Topology		Forward Converter
Switching Frequency		75 - 85 kHz (PWM)
Insulation System		Reinforced Insulation
Working Voltage (rated)		302 VAC
Isolation Test Voltage	- Input to Output, 60 s	3'000 VDC
	- Input to Case or PE, 60 s	1'500 VAC
	- Output to Case or PE, 60 s	500 VAC
Creepage	- Input to Output	7.1 mm min.
Clearance	- Input to Output	7.1 mm min.
Isolation Resistance	- Input to Output, 500 VDC	100 M Ω min.
Leakage Current	- Earth Leakage Current	3500 μ A max.
	- Touch Current	250 μ A max.
Reliability	- Calculated MTBF	200'000 h (MIL-HDBK-217F, ground benign)
Housing Material		Aluminum
Housing Type		Metal Case
Mounting Type		Chassis Mount
Connection Type		Screw Terminal
Weight		635 g

All specifications valid at 230 VAC, resistive full load and +25°C after warm-up time, unless otherwise stated.

Environmental Compliance - REACH Declaration

www.tracopower.com/info/reach-declaration.pdf

- RoHS Declaration

REACH SVHC list compliant

REACH Annex XVII compliant

www.tracopower.com/info/rohs-declaration.pdf

Exemptions: 7a, 7c-I

(RoHS exemptions refer to the component concentration only, not to the overall concentration in the product (O5A rule))

- SCIP Reference Number

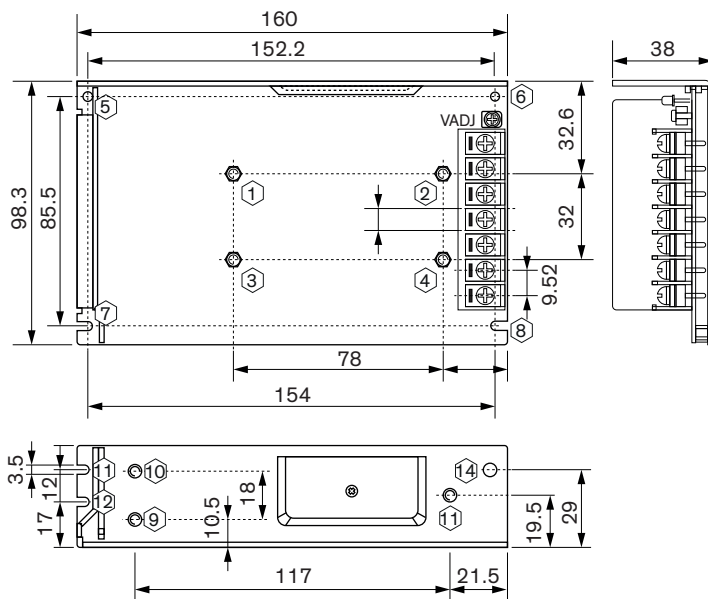
d351b852-9b05-44e1-a17e-360d6950df1b

Supporting Documents

Overview Link (for additional Documents)

www.tracopower.com/overview/txm150

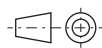
Outline Dimensions



Pin-Out	
Pin	Function
1	AC (L)
2	AC (N)
3	PE
4	- Vout
5	- Vout
6	+ Vout
7	+ Vout

Screw locked torque:
12.0 kgfcm (1.18 Nm) max.

Dimensions in mm (inch)
Outside dimension tolerance: ± 1.0 (± 0.04)



Screw Definition				
Installation Method	Position No.	Screw Size	L max.	Torque max.
Bottom Installation	1 - 4	M3	4.0	12.0 kgfcm
	5 - 8		-	10.0 kgfcm
Side Installation	9 - 11		4.0	6.5 kgfcm
	12 - 14		-	10.0 kgfcm