

## Wall Mounting Kit

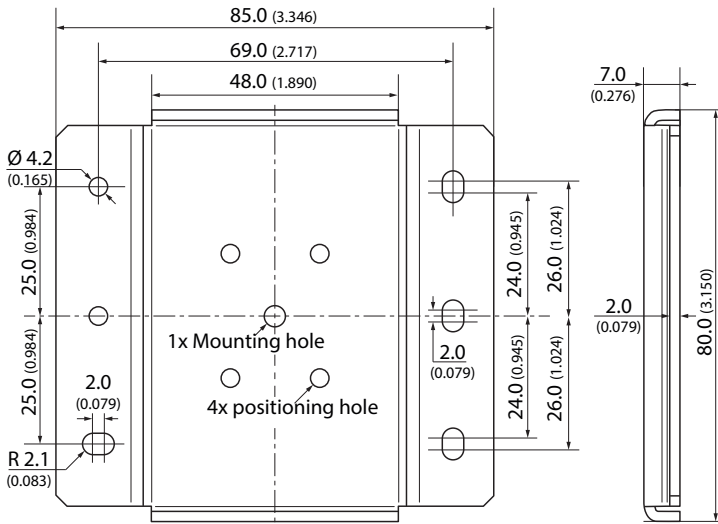
## TSP-WMK03

<b>Order Code</b>	<b>TSP-WMK03</b>
<b>Compatible with</b>	TSP 070, TSP 090, TSP 140, TSP 180, TSP 180WR, TSP-3P 240, TSP-BCM, TSP-BCMU, TSP-BFM, TSP-REM, TSPC 080, TSPC 120, TSPC 240, TSPC-DCM
<b>Mounting Kit Type</b>	Wall Mounting Kit
<b>Package content</b>	1x Bracket
<b>Material</b>	Zinc clear
<b>Weight</b>	120 g
<b>RoHS Exemptions</b>	No Exemptions
<b>Overview Link</b>	<a href="http://www.tracopower.com/overview/tsp-wmk03">www.tracopower.com/overview/tsp-wmk03</a>



### Outline Dimensions

#### Mechanical Drawing



All dimensions in mm (inch)  
Tolerance:  $\pm 0.3$  ( $\pm 0.012$ )

#### Max. screw insertion depth

Series	Screw insertion depth	Series	Screw insertion depth	Series	Screw insertion depth
TSP 070 TSP 070-EX	5 mm (0.197 inch) max.	TSP 180 TSP 180-EX	4 mm (0.157 inch) max.	TSP-BFM	5 mm (0.197 inch) max.
TSP 090 TSP 090-EX		TSP 180WR		TSP-REM	
TSP 140 TSP 140-EX	4 mm (0.157 inch) max.	TSP 240	5 mm (0.197 inch) max.	TSPC-080	3 mm (0.118 inch) max.
		TSP-BCM		TSPC-120	
		TSP-BCMU	3 mm (0.118 inch) max.	TSPC-240	
				TSPC-DCM-600	

The screw insertion depth is referenced from the outside surface of the chassis.

Mounting screw type: M4 machine screw, DIN 7985. The use of washers can serve as an anti-vibration measure.

**Note: To prevent damage to the device, do NOT exceed maximum screw insertion depth.**

**Note: Ensure the device is disconnected from supply before fitting wall mount.**