

This technical information is the property of Convertec Ltd., and may not be copied or made available to third parties without permission. This information is copyright and all rights are reserved. Convertec Ltd., Wexford.

FIG.1

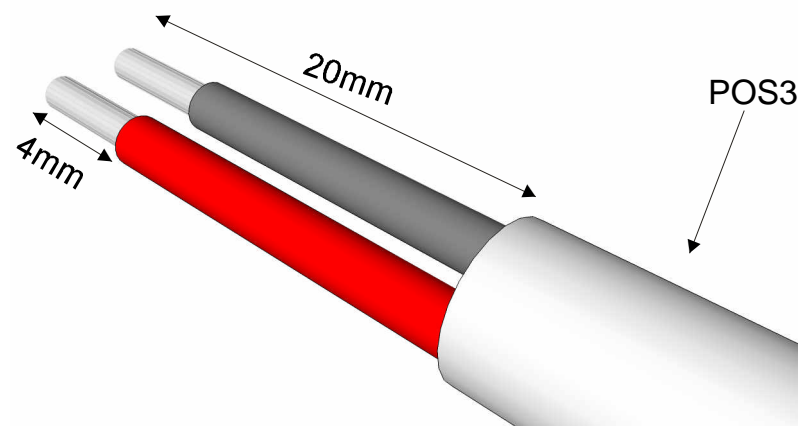


FIG.2

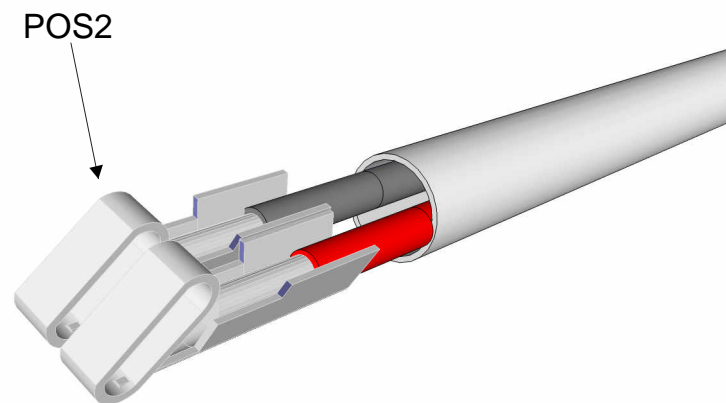


FIG.3

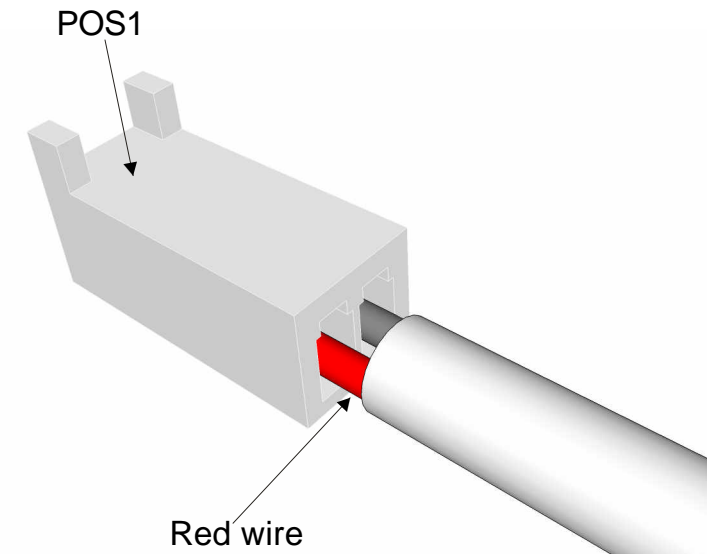
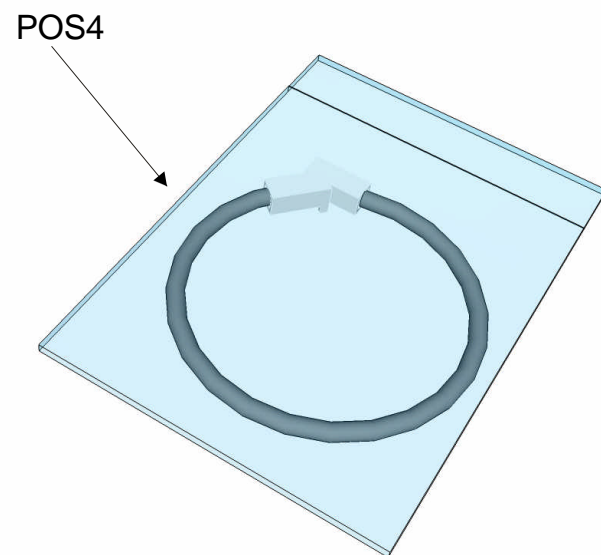


FIG.4



TRACOPOWER Order Code: TSP-JC

Remote link cable for current sharing: 2 cables 0.5 m included with REM module
 Remote link cable for battery control: 1 cable 0.5 m included with BCM module
 Remot control input cable: not included

Assembly Instructions:

1. Remove 20mm of the outer insulation from one end of cable POS3.
2. Remove 4mm insulation from each of the two wires as shown in Fig.1.
3. Now insert the ends of the wires into the crimps POS2 (including approximately 2mm of the insulation) and crimp securely using ONLY the correct crimping tool.
5. Insert the crimps into the connector housing POS1 as shown in Fig.3.
6. Repeat steps 1 to 5 for the other end of the cable POS3.
7. Now carefully roll the cable assembly into a loop and place inside plastic bag POS4.

QC instructions.

Only use the crimping tool designed for the crimps POS2.
 Make sure that the insulation on each wire is firmly held by the crimp.
 Use the red wire as a reference to check polarity.

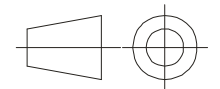
				Date	Name
				30.08.04	J.Kelly
				30.08.04	K.Burke
0		30.08.04	J.Kelly		
Iss.	Change	Date	Name		

Mechanical Assembly Drawing

MAD-CA-240BCM144.01

Sheet 1
Of 1

Date	Name	Folder#	Sub Folder
Distribution by		Registration Details	



FEATURES AND SPECIFICATIONS

Features and Benefits

- Sizes 1 to 25 circuits
- 6471 is end-to-end stackable (2 housings only)
- 2695 version with or without locking ramp and polarizing ribs

Reference Information

Product Specification: PS-10-07

Packaging: Bag

UL File No.: E29179

CSA File No.: LR19980

Mates With: Molex KK 2.54mm (.100") pitch headers and 0.04mm (.025") pins

Use With: 2695—2759, 6459 or 41572 terminals

6471—4809 terminals

Designed In: Inches

Electrical*

Voltage: 250V

Current: Phosphor Bronze—4.0A max.

Brass—2.5A max.

Contact Resistance: 20mΩ max.

Dielectric Withstanding Voltage: 1500V AC

Insulation Resistance: 50K MΩ min.

Mechanical*

Contact Insertion Force: 681g (1.5 lb) max.

Contact Retention to Housing: 3.63kg (8 lb) min.

Mating Force: 199g max.

Unmating Force: 57g min.

Normal Force: 200g min.

Physical

Housing: 2695—Red nylon, UL 94V-0

6471—White nylon, UL 94V-0

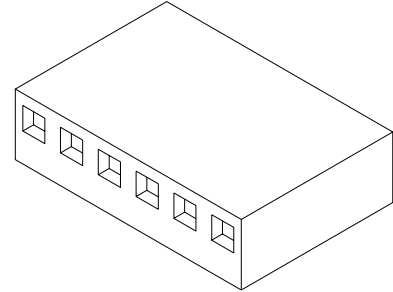
Temperature: 0 to +75°C

molex® 2.54mm (.100") Pitch

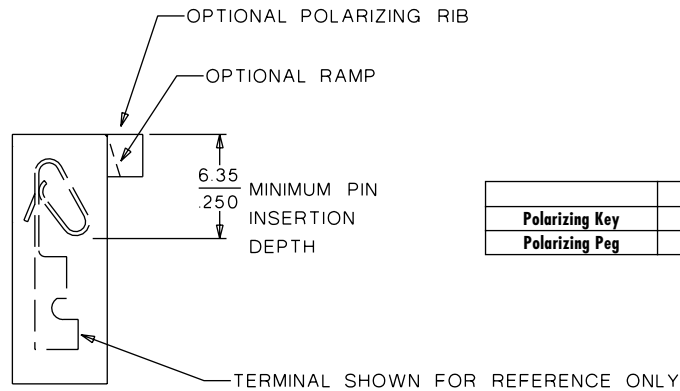
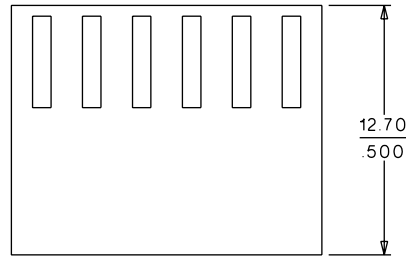
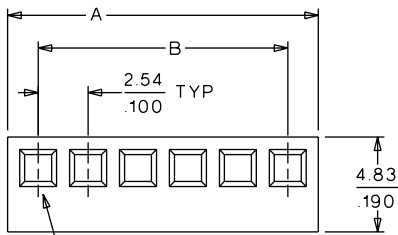
KK®

Crimp Terminal Housing

2695/6471



PCB and Wire Connectors



	Order No.
Polarizing Key	15-04-9209
Polarizing Peg	15-04-9210

Note: 2695 shown

ORDERING INFORMATION AND DIMENSIONS

Circuits	Order No.				Dimension	
	2695		6471		A	B
	With Locking Ramp	With Locking Ramp and Polarizing Ribs	Without Locking Ramp or Ribs	With Locking Ramp and Polarizing Ribs [†]		
1			• 22-01-2011		3.10 (.122)	
2	• 22-01-2027	• 22-01-3027	• 22-01-2021	22-01-2025	5.60 (.220)	2.54 (.100)
3	• 22-01-2037	• 22-01-3037	• 22-01-2031	22-01-2035	8.10 (.320)	5.08 (.200)
4	• 22-01-2047	• 22-01-3047	• 22-01-2041	22-01-2045	10.70 (.420)	7.62 (.300)
5	• 22-01-2057	• 22-01-3057	• 22-01-2051	22-01-2055	13.20 (.520)	10.16 (.400)
6	• 22-01-2067	• 22-01-3067	• 22-01-2061	22-01-2065	15.80 (.620)	12.70 (.500)
7	• 22-01-2077	• 22-01-3077	• 22-01-2071	22-01-2075	18.30 (.720)	15.24 (.600)
8	• 22-01-2087	• 22-01-3087	• 22-01-2081	22-01-2085	20.90 (.820)	17.78 (.700)
9	• 22-01-2097	• 22-01-3097	• 22-01-2091	22-01-2095	23.40 (.920)	20.32 (.800)
10	• 22-01-2107	• 22-01-3107	• 22-01-2101	22-01-2105	25.90 (1.020)	22.86 (.900)
11	• 22-01-2117	• 22-01-3117	• 22-01-2111	22-01-2115	28.50 (1.120)	25.40 (1.000)
12	• 22-01-2127	• 22-01-3127	• 22-01-2121	22-01-2125	31.00 (1.220)	27.94 (1.100)
13	• 22-01-2137	• 22-01-3137	• 22-01-2131	22-01-2135	33.50 (1.320)	30.48 (1.200)

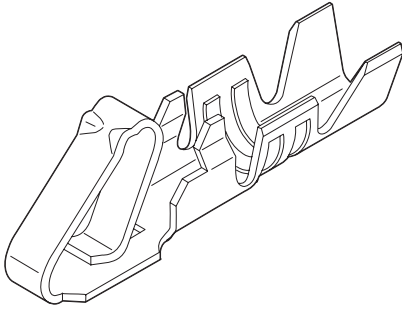
Circuits	Order No.				Dimension	
	2695		6471		A	B
	With Locking Ramp	With Locking Ramp and Polarizing Ribs	Without Locking Ramp or Ribs	With Locking Ramp and Polarizing Ribs [†]		
14	• 22-01-2147	• 22-01-3147	• 22-01-2141	22-01-2145	36.10 (1.420)	33.02 (1.300)
15	• 22-01-2157	• 22-01-3157	• 22-01-2151	22-01-2155	38.60 (1.520)	35.56 (1.400)
16	• 22-01-2167	• 22-01-3167	• 22-01-2161	22-01-2165	41.20 (1.620)	38.10 (1.500)
17	• 22-01-2177	• 22-01-3177	• 22-01-2171	22-01-2175	43.70 (1.720)	40.64 (1.600)
18	• 22-01-2187	• 22-01-3187	• 22-01-2181	22-01-2185	46.20 (1.820)	43.18 (1.700)
19	• 22-01-2197	• 22-01-3197	• 22-01-2191		48.80 (1.920)	45.72 (1.800)
20	• 22-01-2207	• 22-01-3207	• 22-01-2201		51.30 (2.020)	48.26 (1.900)
21	• 22-01-2217	• 22-01-3217	• 22-01-2211		53.90 (2.120)	50.80 (2.000)
22	• 22-01-2227	• 22-01-3227	• 22-01-2221		56.40 (2.220)	53.34 (2.100)
23	• 22-01-2237	• 22-01-3237	• 22-01-2231		58.90 (2.320)	55.88 (2.200)
24	• 22-01-2247	• 22-01-3247	• 22-01-2241		61.50 (2.420)	58.42 (2.300)
25	• 22-01-2257	• 22-01-3257	• 22-01-2251		64.00 (2.520)	60.96 (2.400)

• US Standard Product, available through Molex franchised distributors

* When mated with Molex product only

† For circuits 19-28, contact factory

2.54mm (.100") Pitch KK[®] Crimp Terminal 4809 Anti-Fishhooking



Features and Benefits

- Avoids tangling at pre-assembly
- Available with cat ears

Reference Information

Product Specification: PS-10-07
Packaging: Reel or bag
Tooling Information: See crimp tooling section
UL File No.: E29179
CSA File No.: LR19980
Mates With: 5051-NM and 6471 housings
Designed In: Inches

Electrical

Voltage: 250V
Current: 2.5A
Contact Resistance: 20 milliohms max.
Dielectric Withstanding Voltage: 1500V
Insulation Resistance: 500K Megohms min.

Mechanical

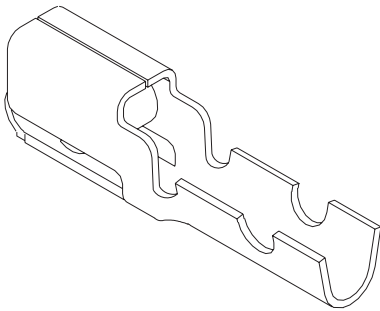
Contact Insertion Force: 681g max.
Contact Retention to Housing: 27.21g min.
Wire Pull-Out Force: 3 lb min.
Mating Force: 199g max.
Unmating Force: 57g min.
Normal Force: 300g
Durability: 50 cycles Gold and 25 cycles Tin

Physical

Contact: Brass
Plating: Gold, select Gold and Tin
Operating Temperature: Storage— -40 to +105°C
Operating— 0 to +75°C
Wire Accommodation: 22 to 30 AWG

Order No.		Plating	Crimp Wire Size	Insulation Diameter	Engineering No.	Lead-free
Bag	Reel					
08-50-0032	08-50-0031	1.00 to 2.50µm Tin	22-30	1.57 (.062) max.	4809	Yes
08-55-0111	08-55-0110	0.38µm Gold in contact area only				
08-56-0115	08-56-0120	0.38µm Gold in contact area, Gold flash overall				

2.54mm (.100") Pitch KK[®] Crimp Terminal 7879 High Pressure



Features and Benefits

- Multiple contacting points
- Patented triple cantilever with box shroud
- Suitable for high vibration requirements
- Box shroud prevents contamination to the contact surface
- Crimping die or hand tool available

Reference Information

Product Specification: PS-7879
Packaging: Reel or bag
Tooling Information: See crimp tooling section
UL File No.: E29179
CSA File No.: LR19980
Use With: 7880 housings
Designed In: Inches

Electrical

Voltage: 250V
Current: 2.5A
Contact Resistance: 10 milliohms max.
Dielectric Withstanding Voltage: 1500V
Insulation Resistance: 50K Megohms min.

Mechanical

Wire Pull-Out Force:

Wire Gauge (AWG)	22	24	26	28	30
Pull-Out Force (lb)	10	8	6	4	3

Mating Force: 475g max.
Unmating Force: 100g min.
Normal Force: 430g min.

Physical

Contact: Brass
Plating: See Table
Wire Accommodation: 22 to 30 AWG
Insulation Range: 1.58mm (.062") diameter max.

Order No.		Plating	Wire Gauge (AWG)	Insulation Diameter	Lead-free
Reel	Bag				
08-50-0004	08-50-0005	Tin/Copper	22-30	1.57 (.062) max.	Yes
08-55-0124	08-55-0129	Select Gold			

Recommended wire range assumes stranded wire