

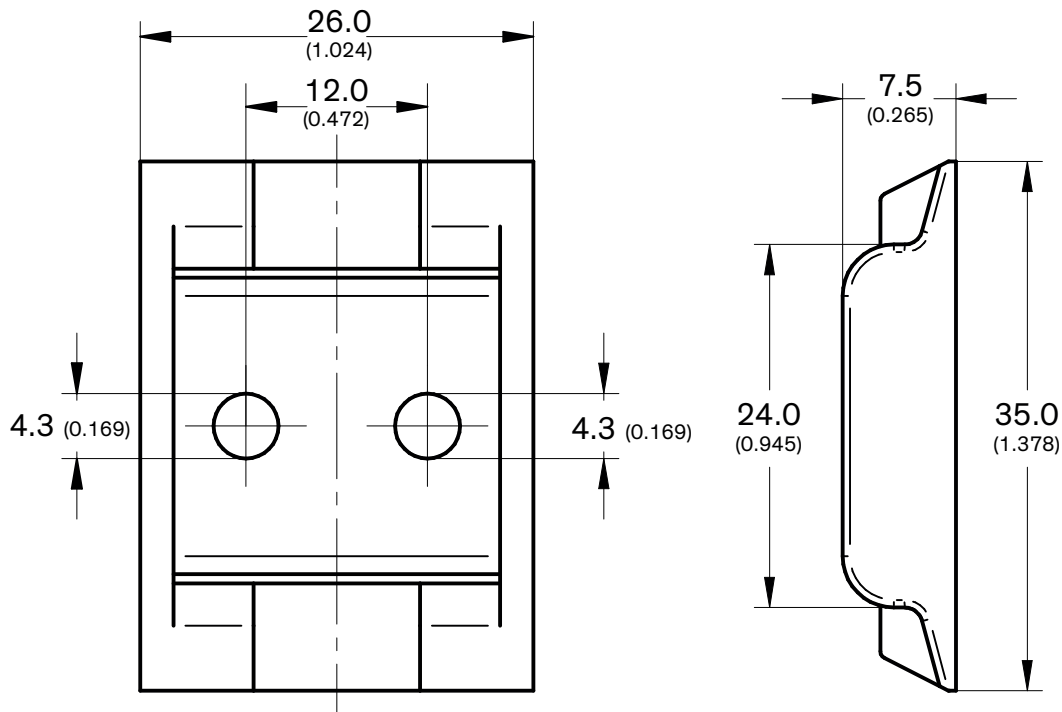
Wall Mounting Kit

TPC-WMK1

Order Code	TPC-WMK1
Compatible with	TPC 030
Mounting Kit Type	Wall Mounting Kit
Package content	DIN Rail
Material	Polycarbonate
Weight	6 g
RoHS Exemptions	No Exemptions
Overview Link	www.tracopower.com/overview/tpc-wmk1



Outline Dimensions



All dimensions in mm (inch)