

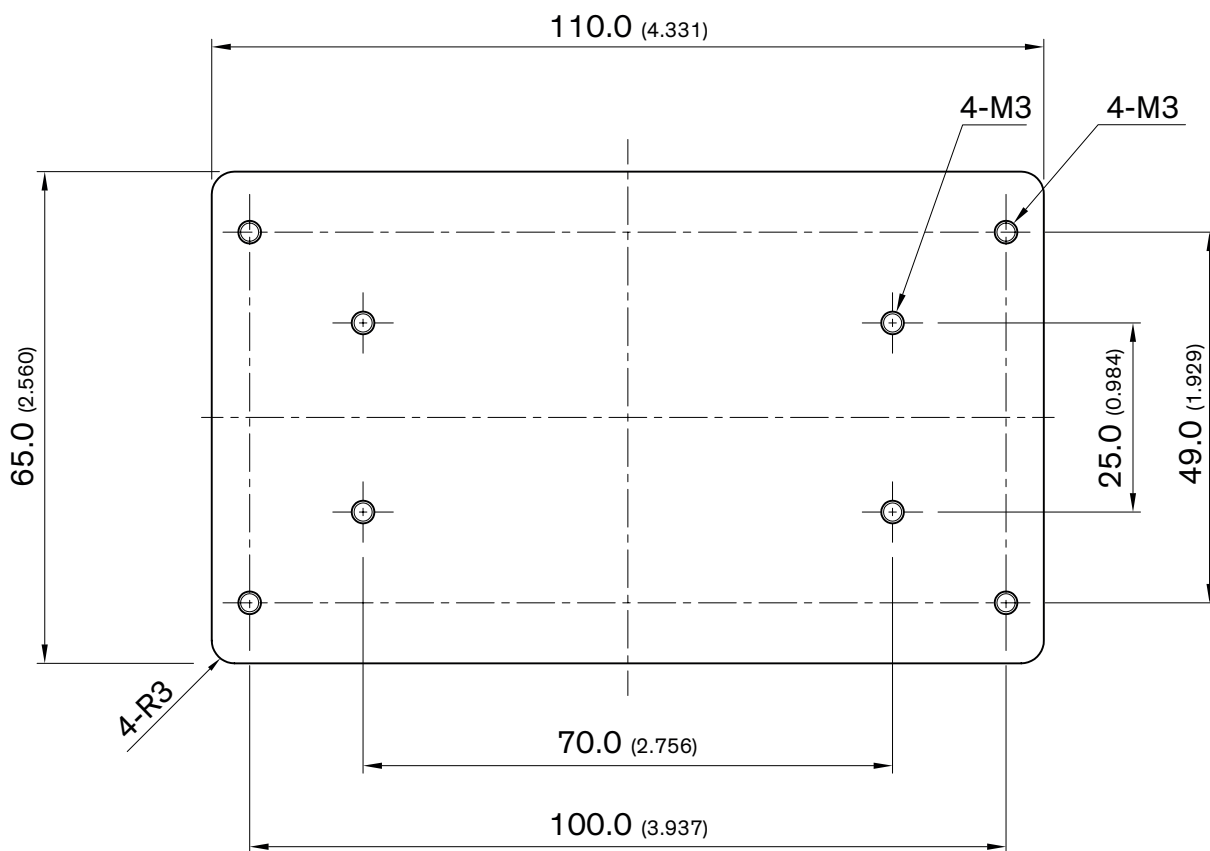
## DIN-Rail Mounting Kit

## TMT-MK5

<b>Order Code</b>	<b>TMT-MK5</b>
<b>Compatible with</b>	TMT 50C
<b>Mounting Kit Type</b>	DIN-Rail Mounting Kit (EN 60715 - 35x7.5mm/35x15mm)
<b>RoHS Exemptions</b>	No Exemptions
<b>Overview Link</b>	<a href="http://www.tracopower.com/overview/tmt-mk5">www.tracopower.com/overview/tmt-mk5</a>



### Outline Dimensions



All dimensions mm (inch)