

DIN-Rail Mounting Kit

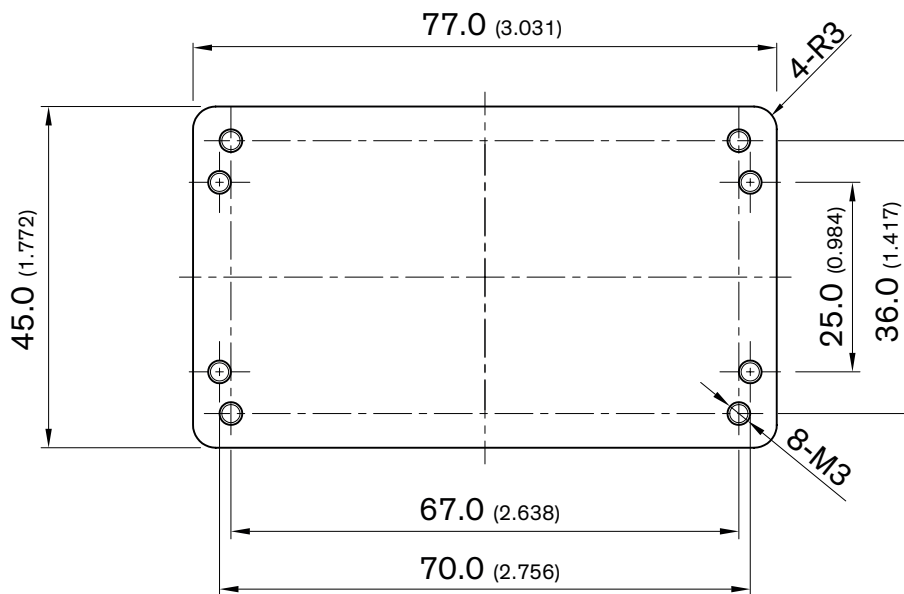
TMT-MK1

End of life

Order Code	TMT-MK1
Compatible with	TMT 15C
Mounting Kit Type	DIN-Rail Mounting Kit (EN 60715 - 35x7.5mm/35x15mm)
RoHS Exemptions	No Exemptions
Overview Link	www.tracopower.com/overview/tmt-mk1



Outline Dimensions



All dimensions in mm (inch)