

- Highest power density in SIP-8 metal package (optional plastic package)
- Ultra wide 4:1 input voltage range
- Temperature range  $-40^{\circ}$  to  $+85^{\circ}\text{C}$
- High efficiency up to 89%
- Indefinite short-circuit protection
- I/O isolation 1'600 VDC
- Remote On/Off control
- Fully RoHS compliant
- 3-year product warranty



The TMR 9WI series is a new family of isolated 9W DC/DC converter modules with regulated output, featuring ultra wide 4:1 input voltage ranges. The product comes in a ultra-compact SIP-8 metal package with a small footprint occupying only 2.0 cm<sup>2</sup> (0.3 square inch) of board space. An excellent efficiency allows  $-40^{\circ}$  to  $+60^{\circ}\text{C}$  operation temperatures without derating. Further features include remote On/Off control and continuous short circuit protection. The very compact dimensions of these converters make them an ideal solution for many space critical applications in communication equipment, instrumentation and industrial electronics.

Models						
Order Code	Input Voltage Range	Output 1		Output 2		Efficiency typ.
		Vnom	I <sub>max</sub>	Vnom	I <sub>max</sub>	
TMR 9-2410WI	9 - 36 VDC (24 VDC nom.)	3.3 VDC	2'000 mA			82 %
TMR 9-2411WI		5 VDC	1'600 mA			85 %
TMR 9-2419WI		9 VDC	1'000 mA			88 %
TMR 9-2412WI		12 VDC	750 mA			88 %
TMR 9-2413WI		15 VDC	600 mA			89 %
TMR 9-2415WI		24 VDC	375 mA			89 %
TMR 9-2421WI		+5 VDC	800 mA	-5 VDC	800 mA	86 %
TMR 9-2422WI		+12 VDC	375 mA	-12 VDC	375 mA	88 %
TMR 9-2423WI		+15 VDC	300 mA	-15 VDC	300 mA	88 %
TMR 9-4810WI		18 - 75 VDC (48 VDC nom.)	3.3 VDC	2'000 mA		
TMR 9-4811WI	5 VDC		1'600 mA			85 %
TMR 9-4819WI	9 VDC		1'000 mA			89 %
TMR 9-4812WI	12 VDC		750 mA			89 %
TMR 9-4813WI	15 VDC		600 mA			89 %
TMR 9-4815WI	24 VDC		375 mA			89 %
TMR 9-4821WI	+5 VDC		800 mA	-5 VDC	800 mA	85 %
TMR 9-4822WI	+12 VDC		375 mA	-12 VDC	375 mA	88 %
TMR 9-4823WI	+15 VDC		300 mA	-15 VDC	300 mA	87 %

Options	
on demand (backorder with MOQ non stocking item)	- Optional models with plastic case

## Input Specifications

Input Current	- At no load	24 Vin models: <b>7 mA typ.</b> 48 Vin models: <b>3 mA typ.</b>
	- At full load	24 Vin models: <b>350 mA max.</b> (3.3 Vout model) <b>407 mA max.</b> (5 Vout model) <b>434 mA max.</b> (9 Vout model) <b>439 mA max.</b> (12 Vout model) <b>440 mA max.</b> (15 Vout model) <b>431 mA max.</b> (24 Vout model) <b>399 mA max.</b> (5 / -5 Vout model) <b>434 mA max.</b> (12 / -12 Vout model) <b>434 mA max.</b> (15 / -15 Vout model) 48 Vin models: <b>173 mA max.</b> (3.3 Vout model) <b>203 mA max.</b> (5 Vout model) <b>217 mA max.</b> (9 Vout model) <b>219 mA max.</b> (12 Vout model) <b>218 mA max.</b> (15 Vout model) <b>215 mA max.</b> (24 Vout model) <b>201 mA max.</b> (5 / -5 Vout model) <b>218 mA max.</b> (12 / -12 Vout model) <b>222 mA max.</b> (15 / -15 Vout model)
Surge Voltage		24 Vin models: <b>50 VDC max.</b> (1 s max.) 48 Vin models: <b>100 VDC max.</b> (1 s max.)
Recommended Input Fuse		24 Vin models: <b>3'150 mA</b> (slow blow) 48 Vin models: <b>1'250 mA</b> (slow blow) (The need of an external fuse has to be assessed in the final application.)
Input Filter		<b>Internal Capacitor</b>

## Output Specifications

Voltage Set Accuracy		<b>±1% max.</b>		
Regulation	- Input Variation (Vmin - Vmax)	single output models: <b>0.2% max.</b> dual output models: <b>0.2% max.</b>		
	- Load Variation (0 - 100%)	single output models: <b>1% max.</b> dual output models: <b>1% max.</b> (Output 1) <b>1% max.</b> (Output 2)		
	- Cross Regulation (25% / 100% asym. load)	dual output models: <b>5% max.</b>		
Ripple and Noise (20 MHz Bandwidth)	- single output	3.3 Vout models: <b>50 mVp-p typ.</b> (w/ 1 $\mu$ F X7R) 5 Vout models: <b>50 mVp-p typ.</b> (w/ 1 $\mu$ F X7R) 9 Vout models: <b>50 mVp-p typ.</b> (w/ 1 $\mu$ F X7R) 12 Vout models: <b>75 mVp-p typ.</b> (w/ 1 $\mu$ F X7R) 15 Vout models: <b>75 mVp-p typ.</b> (w/ 1 $\mu$ F X7R) 24 Vout models: <b>75 mVp-p typ.</b> (w/ 1 $\mu$ F X7R)		
		- dual output	5 / -5 Vout models: <b>50 / 50 mVp-p typ.</b> (w/ 1 $\mu$ F X7R) 12 / -12 Vout models: <b>75 / 75 mVp-p typ.</b> (w/ 1 $\mu$ F X7R) 15 / -15 Vout models: <b>75 / 75 mVp-p typ.</b> (w/ 1 $\mu$ F X7R)	
		Capacitive Load	- single output	3.3 Vout models: <b>2'600 <math>\mu</math>F max.</b> 5 Vout models: <b>1'300 <math>\mu</math>F max.</b> 9 Vout models: <b>800 <math>\mu</math>F max.</b> 12 Vout models: <b>560 <math>\mu</math>F max.</b> 15 Vout models: <b>560 <math>\mu</math>F max.</b> 24 Vout models: <b>200 <math>\mu</math>F max.</b>
				- dual output
Minimum Load				<b>Not required</b>

All specifications valid at nominal voltage, resistive full load and +25°C after warm-up time, unless otherwise stated.

Temperature Coefficient	±0.02 %/K max.
Start-up Time	50 ms typ.
Short Circuit Protection	Continuous, Automatic recovery
Output Current Limitation	180% typ. of I <sub>out</sub> max.
Transient Response - Response Time	250 µs typ. (25% Load Step)

### Safety Specifications

Standards - IT / Multimedia Equipment	EN 60950-1 EN 62368-1 IEC 60950-1 IEC 62368-1 UL 60950-1 UL 62368-1
- Certification Documents	<a href="http://www.tracopower.com/overview/tmr9wi">www.tracopower.com/overview/tmr9wi</a>
Pollution Degree	PD 2

### EMC Specifications

EMI (Emissions)	- Conducted Emissions	EN 55032 class A (with external filter) EN 55032 class B (with external filter)
	- Radiated Emissions	EN 55032 class A (with external filter) EN 55032 class B (with external filter)
External filter proposal:		<a href="http://www.tracopower.com/overview/tmr9wi">www.tracopower.com/overview/tmr9wi</a>
EMS (Immunity)	- Electrostatic Discharge	Air: EN 61000-4-2, ±8 kV, perf. criteria A Contact: EN 61000-4-2, ±6 kV, perf. criteria A
	- RF Electromagnetic Field	EN 61000-4-3, 20 V/m, perf. criteria A
	- EFT (Burst) / Surge	EN 61000-4-4, ±2 kV, perf. criteria A EN 61000-4-5, ±2 kV, perf. criteria A
	- Conducted RF Disturbances	Ext. input component: 24 V <sub>in</sub> models: KY 220 µF    SMDJ70A 48 V <sub>in</sub> models: KY 220 µF    SMDJ120A EN 61000-4-6, 10 V <sub>rms</sub> , perf. criteria A
	- PF Magnetic Field	Continuous: EN 61000-4-8, 100 A/m, perf. criteria A

### General Specifications

Relative Humidity	95% max. (non condensing)	
Temperature Ranges	- Operating Temperature	-40°C to +85°C
	- Case Temperature	+100°C max.
	- Storage Temperature	-55°C to +125°C
Power Derating	- High Temperature	Depending on model
	See application note: <a href="http://www.tracopower.com/overview/tmr9wi">www.tracopower.com/overview/tmr9wi</a>	
Cooling System	Natural convection (20 LFM)	
Remote Control	- Voltage Controlled Remote (passive = on)	On: 0 to 0.5 VDC or open circuit Off: 3 to 12 VDC Refers to 'Remote' and '-Vin' Pin
	- Off Idle Input Current	2.5 mA max.
Altitude During Operation	5'000 m max.	
Regulator Topology	Flyback Converter	
Switching Frequency	400 kHz typ. (PWM) (single output models) 500 kHz typ. (PWM) (dual output models)	
Insulation System	Functional Insulation	
Isolation Test Voltage	- Input to Output, 60 s	1'600 VDC
	- Input to Case, 60 s	1'000 VDC
	- Output to Case, 60 s	1'000 VDC
Isolation Resistance	- Input to Output, 500 VDC	1'000 MΩ min.
Isolation Capacitance	- Input to Output, 100 kHz, 1 V	50 pF max.

All specifications valid at nominal voltage, resistive full load and +25°C after warm-up time, unless otherwise stated.

Reliability	- Calculated MTBF	2'940'000 h (for standard version) 2'640'000 h (for plastic version) (MIL-HDBK-217F, ground benign)
Washing Process		According to Cleaning Guideline <a href="http://www.tracopower.com/info/cleaning.pdf">www.tracopower.com/info/cleaning.pdf</a>
Environment	- Vibration - Thermal Shock	MIL-STD-810F MIL-STD-810F
Housing Material		Copper (for standard version) non-conductive plastic (for plastic version)
Potting Material		Silicone (UL 94 V-0 rated)
Pin Material		Copper
Pin Foundation Plating		Nickel (2 - 3 µm)
Pin Surface Plating		Tin (3 - 5 µm), matte
Housing Type		Metal Case
Mounting Type		PCB Mount
Connection Type		THD (Through-Hole Device)
Footprint Type		SIP8
Soldering Profile		Lead-Free Wave Soldering 260°C / 6 s max.
Weight		5.9 g (for standard version) 4.8 g (for plastic version)
Environmental Compliance	- REACH Declaration  - RoHS Declaration  - SCIP Reference Number	<a href="http://www.tracopower.com/info/reach-declaration.pdf">www.tracopower.com/info/reach-declaration.pdf</a> REACH SVHC list compliant REACH Annex XVII compliant <a href="http://www.tracopower.com/info/rohs-declaration.pdf">www.tracopower.com/info/rohs-declaration.pdf</a> Exemptions: 7a, 7c-I (RoHS exemptions refer to the component concentration only, not to the overall concentration in the product (O5A rule).) d8371d3a-5c43-4990-a9e2-1a156c2ee4ba

## Supporting Documents

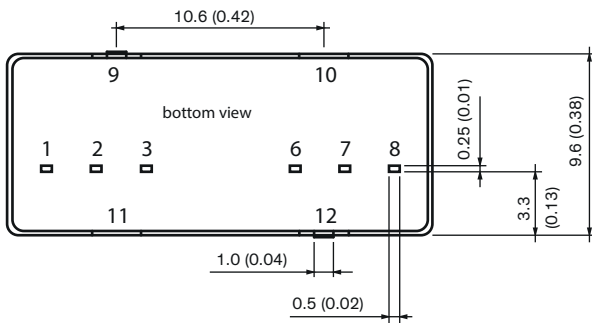
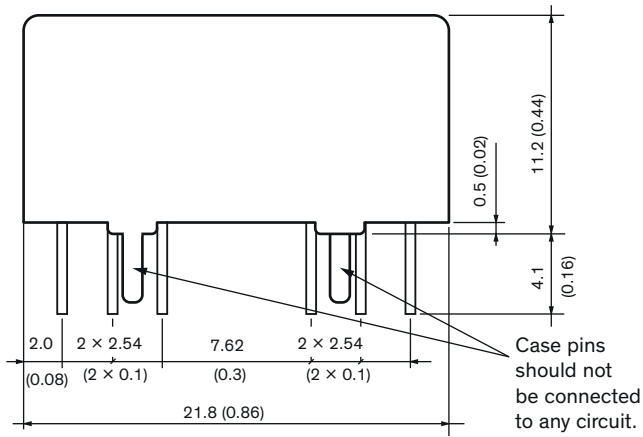
Overview Link (for additional Documents)

[www.tracopower.com/overview/tmr9wi](http://www.tracopower.com/overview/tmr9wi)

All specifications valid at nominal voltage, resistive full load and +25°C after warm-up time, unless otherwise stated.

### Outline Dimensions

#### Metal package (standard)

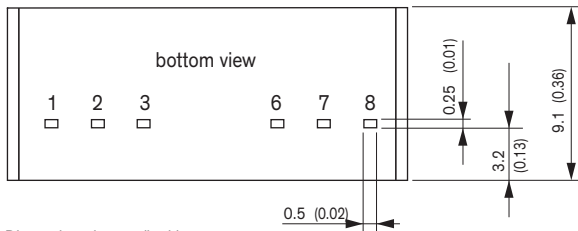
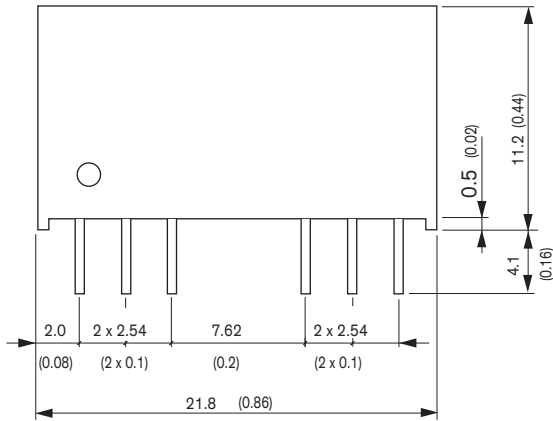


Dimensions in mm (inch)  
 Tolerances:  $\pm 0.5$  ( $\pm 0.02$ )  
 Pin pitch Tolerance  $\pm 0.25$  ( $\pm 0.01$ )

Pinout		
Pin	Single Output	Dual Output
1	-Vin (GND)	-Vin (GND)
2	+Vin (Vcc)	+Vin (Vcc)
3	Remote	Remote
6	+Vout	+Vout
7	-Vout	Common
8	NC	-Vout
9	Case	Case
10	Stand Off	Stand Off
11	Stand Off	Stand Off
12	Case	Case

All specifications valid at nominal voltage, resistive full load and +25°C after warm-up time, unless otherwise stated.

### Plastic package (option)



Dimensions in mm (inch)  
 Tolerances:  $\pm 0.5$  ( $\pm 0.02$ )  
 Pin pitch Tolerance  $\pm 0.25$  ( $\pm 0.01$ )

Pinout		
Pin	Single Output	Dual Output
1	-Vin (GND)	-Vin (GND)
2	+Vin (Vcc)	+Vin (Vcc)
3	Remote	Remote
6	+Vout	+Vout
7	-Vout	Common
8	NC	-Vout