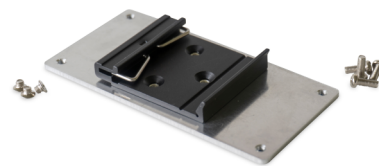


DIN-Rail Mounting Kit

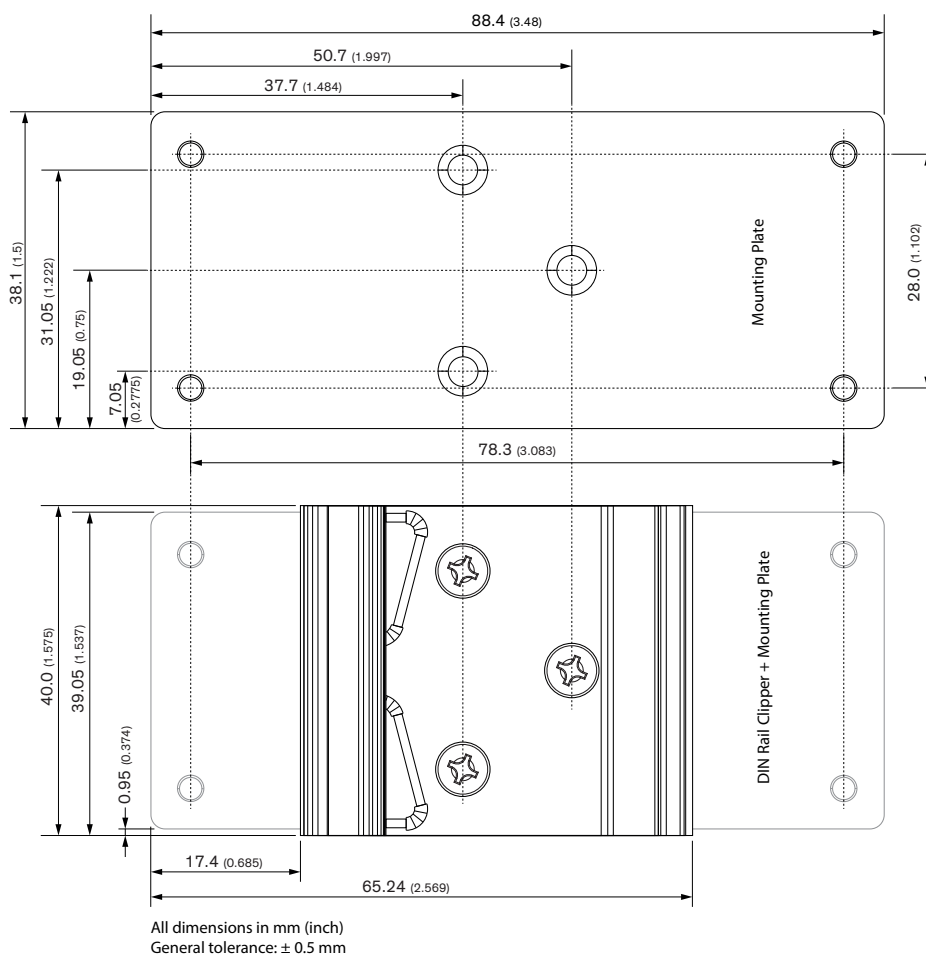
TMPW-MK2

Order Code	TMPW-MK2
Compatible with	TMPW 25-J, TMPW 25-T
Mounting Kit Type	DIN-Rail Mounting Kit (EN 60715 - 35x7.5mm/35x15mm)
Package content	1x Bracket 1x Clamp 4x M3x8 mm Pan head screw 3x M3x3 mm Flat head screw
Material	Aluminum
Weight	39 g
RoHS Exemptions	No Exemptions
Overview Link	www.tracopower.com/overview/tmpw-mk2



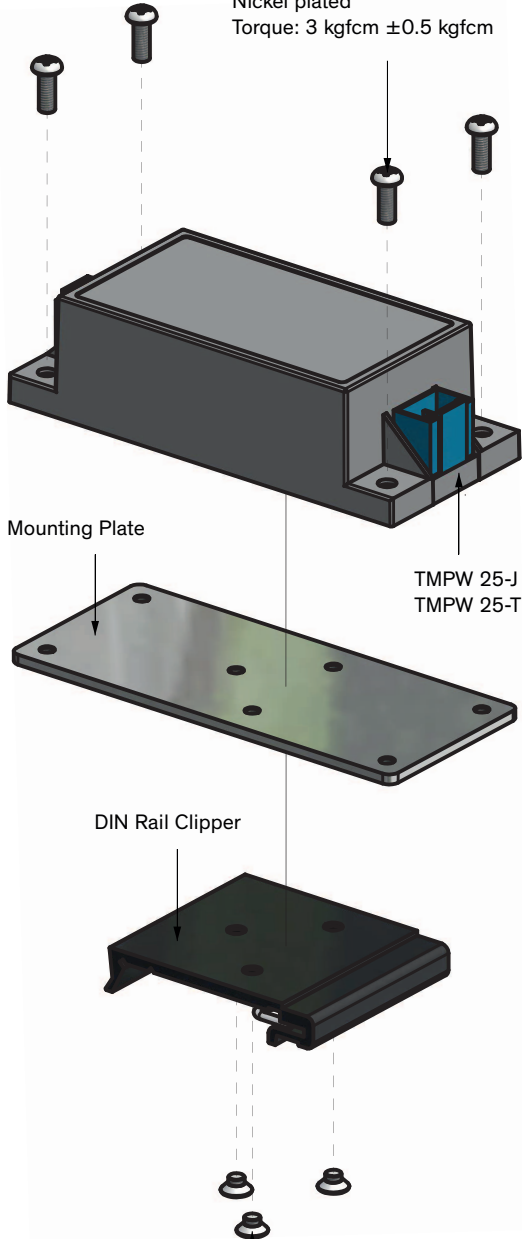
Outline Dimensions

Mechanical Drawing



Exploded View

4x M3x8 mm Ball head screw
Nickel plated
Torque: 3 kgfcm ±0.5 kgfcm



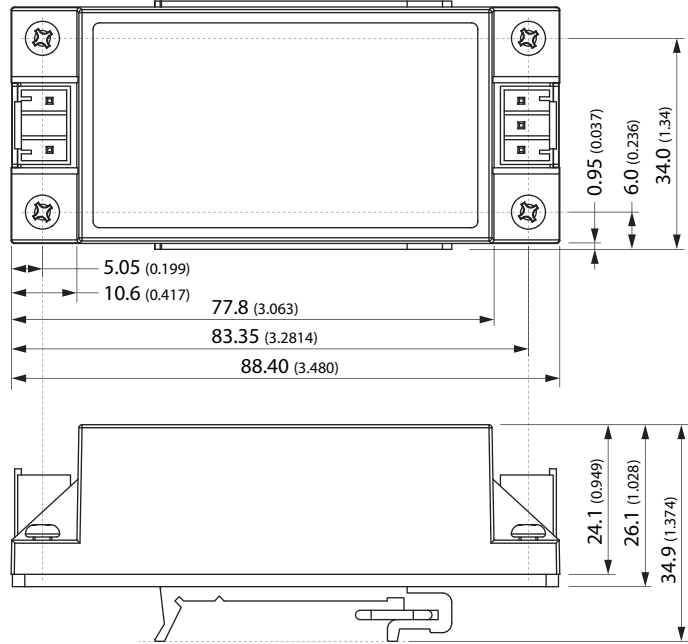
Mounting Plate

TMPW 25-J
TMPW 25-T

DIN Rail Clipper

3x M3x3 mm Flat head screw
Nickel plated
Torque: 3 kgfcm ±0.5 kgfcm

Converter incl. Mounting Plate and DIN Rail clipper:



All dimensions in mm (inch)
General tolerance: ± 0.5 mm

