

DIN-Rail Mounting Kit

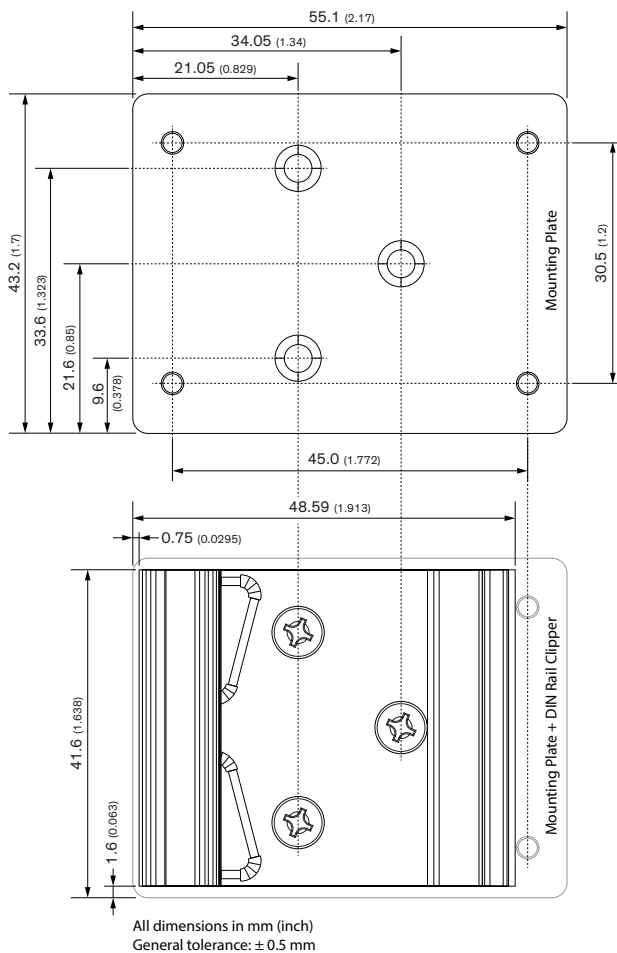
TMPW-MK1

Order Code	TMPW-MK1
Compatible with	TMPW 10-J, TMPW 10-T, TMPW 5-J, TMPW 5-T
Mounting Kit Type	DIN-Rail Mounting Kit (EN 60715 - 35x7.5mm/35x15mm)
Package content	1x Bracket 1x Clamp 4x M3x8 mm Pan head screw 3x M3x3 mm Flat head screw
Material	Aluminum
Weight	34 g
RoHS Exemptions	No Exemptions
Overview Link	www.tracopower.com/overview/tmpw-mk1

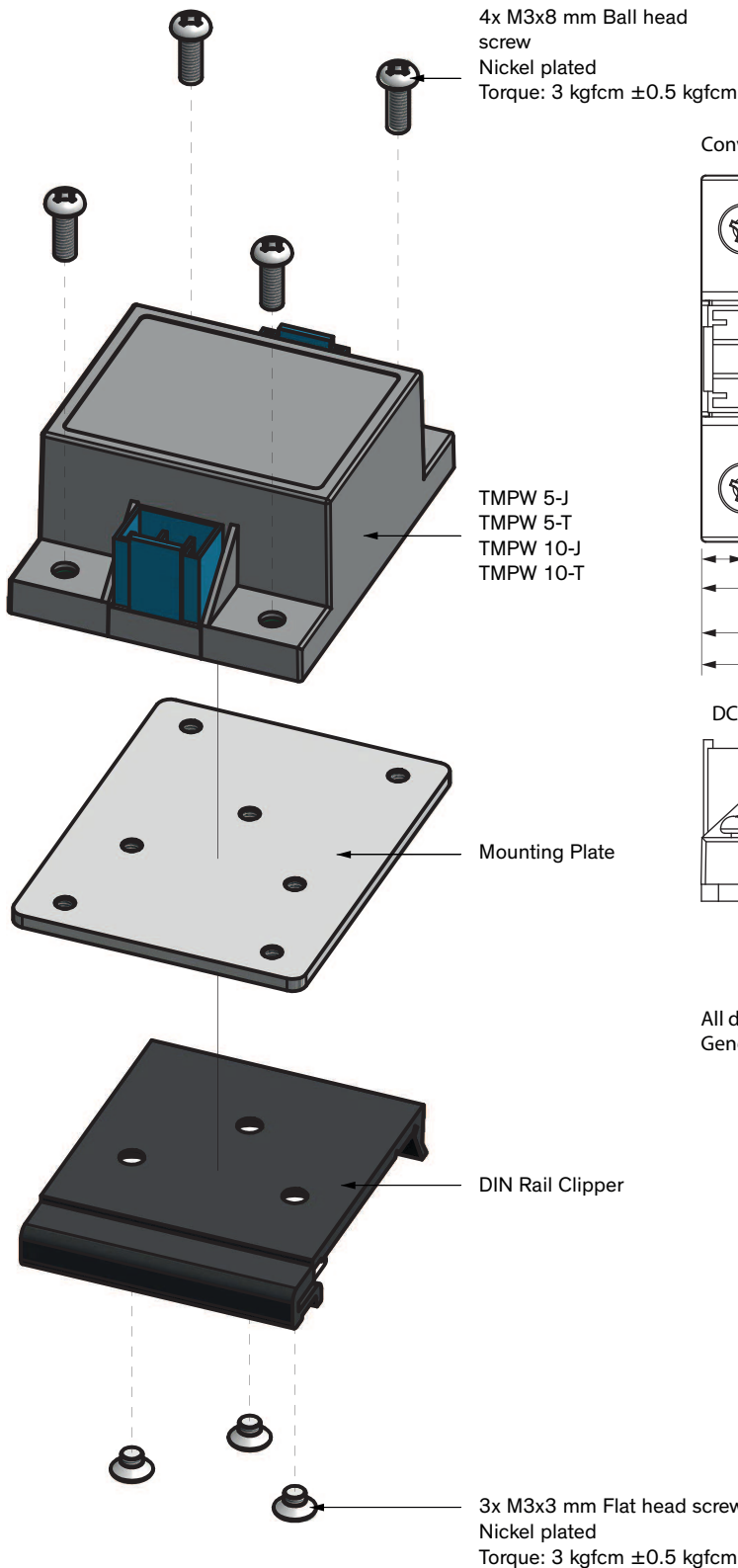


Outline Dimensions

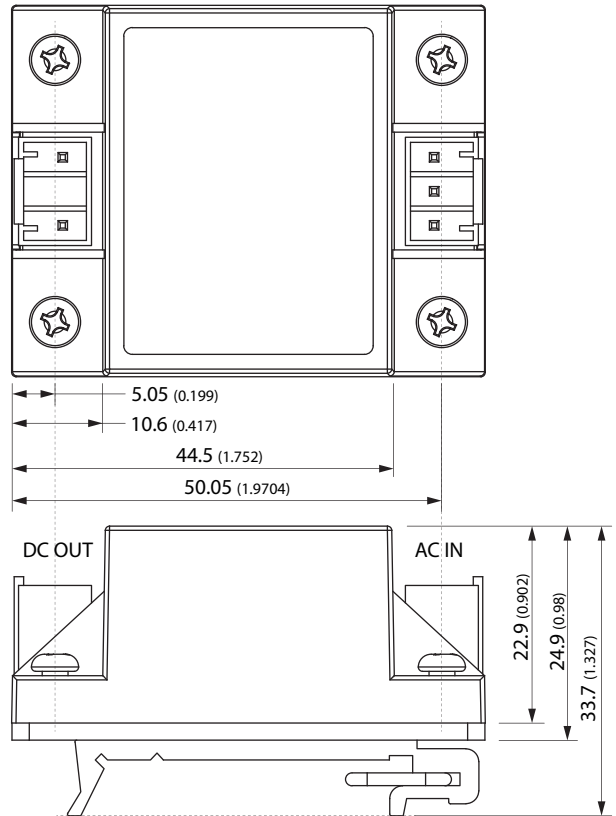
Mechanical Drawing



Exploded View



Converter incl. Mounting Plate and DIN Rail Clipper:



All dimensions in mm (inch)
General tolerance: \pm 0.5 mm

