

## DIN-Rail Mounting Kit

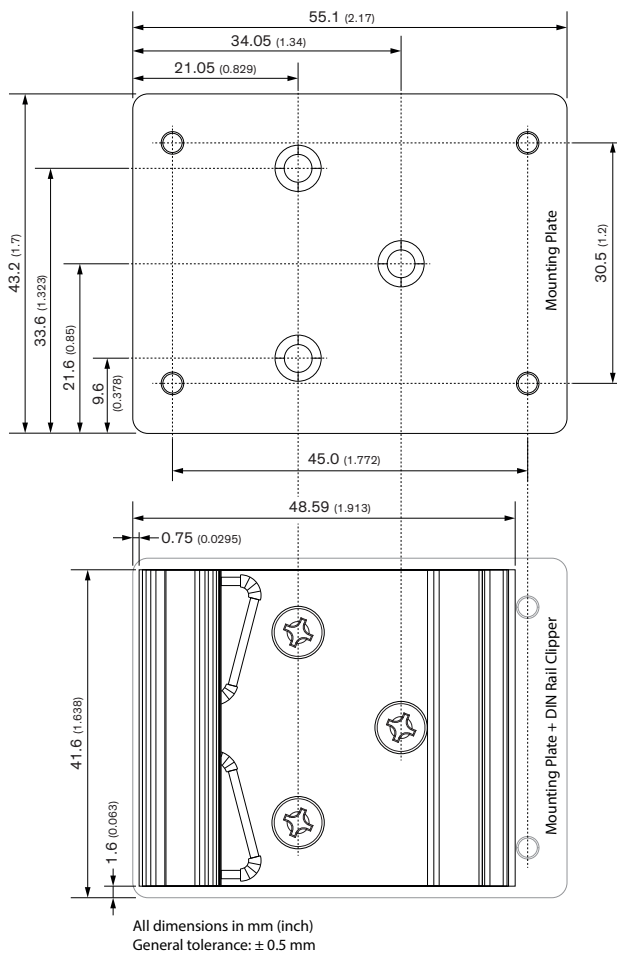
## TMPW-MK1

<b>Order Code</b>	<b>TMPW-MK1</b>
<b>Compatible with</b>	TMPW 10-J, TMPW 10-T, TMPW 5-J, TMPW 5-T
<b>Mounting Kit Type</b>	DIN-Rail Mounting Kit (EN 60715 - 35x7.5mm/35x15mm)
<b>Package content</b>	1x Bracket 1x Clamp 4x M3x8 mm Pan head screw 3x M3x3 mm Flat head screw
<b>Material</b>	Aluminum
<b>Weight</b>	34 g
<b>RoHS Exemptions</b>	No Exemptions
<b>Overview Link</b>	<a href="http://www.tracopower.com/overview/tmpw-mk1">www.tracopower.com/overview/tmpw-mk1</a>

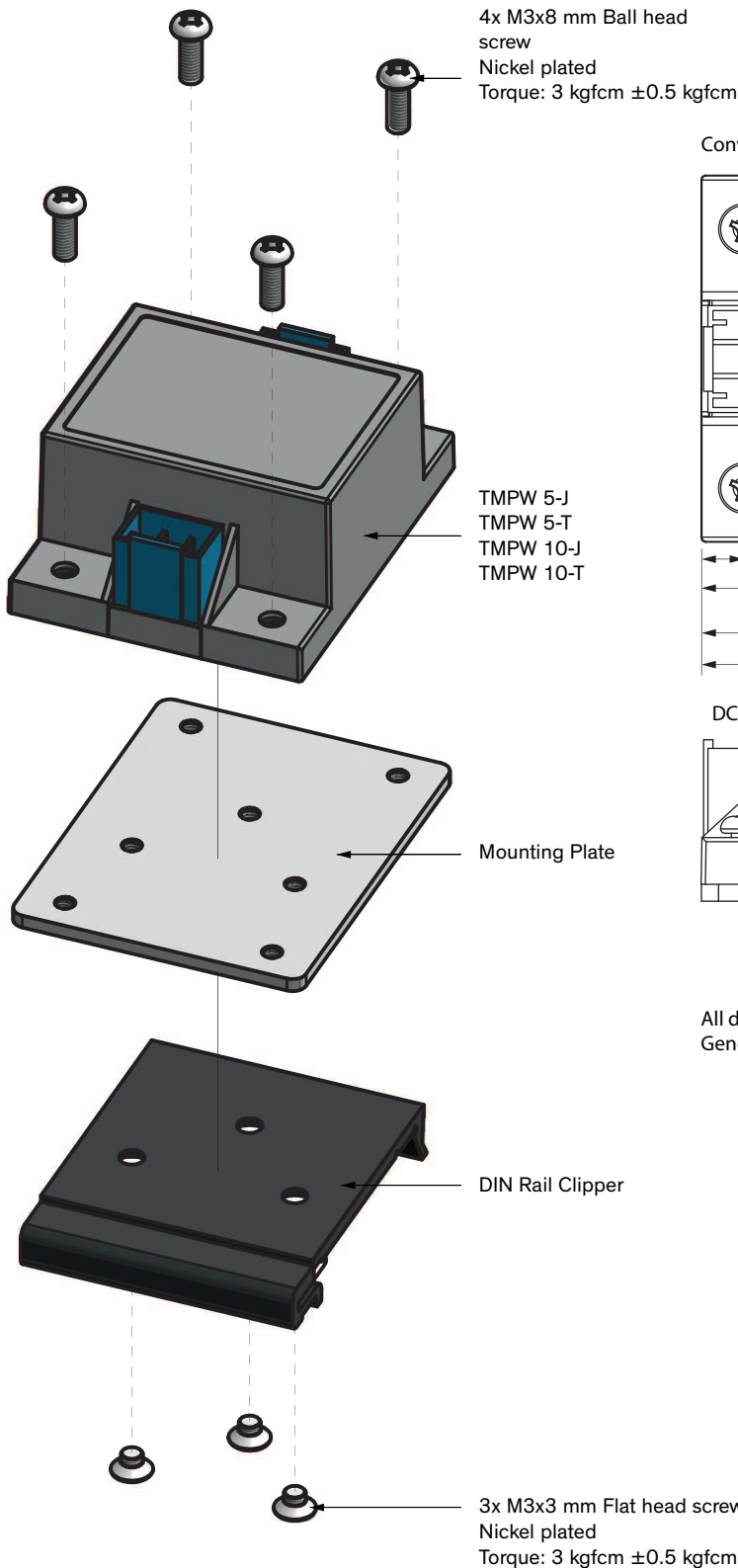


### Outline Dimensions

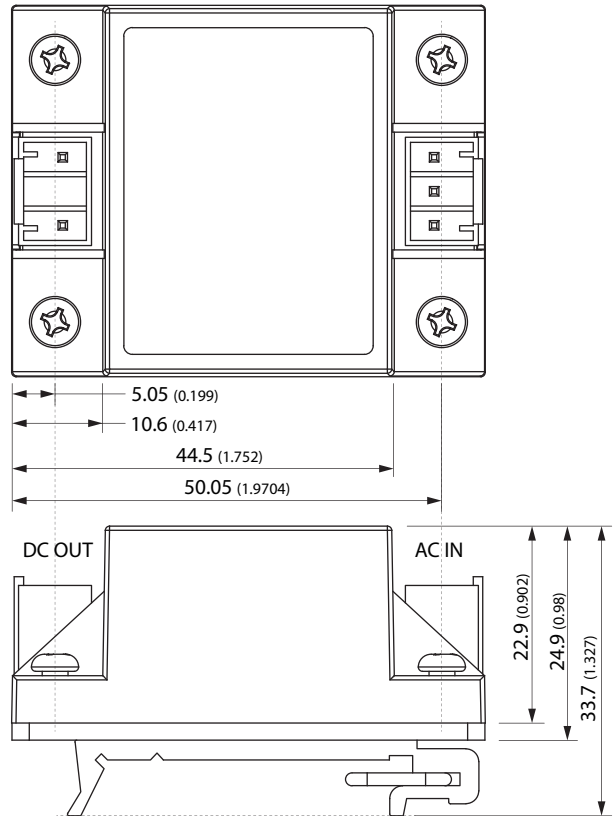
#### Mechanical Drawing



## Exploded View



Converter incl. Mounting Plate and DIN Rail Clipper:



All dimensions in mm (inch)  
General tolerance:  $\pm$ 0.5 mm

