

- Compact PCB power module in 1.46" x 1.08" package
- Wide input voltage range 90-305 VAC
- Certified according to EN 60335-1 and IEC/EN/UL 62368-1
- I/O-Isolation 4'000 VAC
- Operating temperature range -40°C to +70°C
- No load input power <0.1W (acc. ErP directive)
- High efficiency up to 83%
- Internal EN 55032 class B filter
- Protection class II prepared
- 3-year product warranty



The TMPW 5 is a 5 Watt AC/DC series with an extended input range of 90-305 VAC and is suitable for industrial and household/building technology applications and comes in a compact encapsulated plastic case. The 305 VAC (277 VAC $\pm 10\%$) threshold is derived from a 480 VAC three-phase supply voltage often used in heavy industrial applications. Through the increased voltage level, the drawn current from the load is effectively reduced, which allows for an overall more compact and lightweight design approach. They offer an I/O-isolation voltage of 4000 VAC, a high temperature range of -40 to +70°C and are prepared for protection class II applications. Additionally, an internal EN 55032 class B filter saves valuable board space for an otherwise often mandatory external filter setup. An energy efficient design (<0.1 Watt standby power consumption) and safety approvals according to IEC/EN/UL 62368-1 and EN 60335-1 make this series suitable for a wide range of industrial and household/building technology applications.

Models

| Order Code | Output Power max. | Output Voltage nom. | Output Current max. | Efficiency typ. |
|------------|----------------------|------------------------|------------------------|--------------------|
| TMPW 5-103 | 5 W | 3.3 VDC | 1'515 mA | 73 % |
| TMPW 5-105 | | 5 VDC | 1'000 mA | 77 % |
| TMPW 5-112 | | 12 VDC | 420 mA | 81 % |
| TMPW 5-124 | | 24 VDC | 210 mA | 83 % |

Input Specifications

| | | |
|------------------------|--|---|
| Input Voltage | - AC Range | Operational Range: 90 - 305 VAC (Full Range) Rated Range: 100 - 277 VAC (Full Range) |
| | - DC Range | Operational Range: 100 - 430 VDC Certified Range: 100 - 250 VDC Polarity: irrelevant (The rated range refers to 62368-1. For 60335-1 certification the rated input voltage is 100 - 240 VAC and DC input is not permitted.) |
| Input Frequency | | Operational Range: 47 - 440 Hz Certified: 50/60 Hz |
| Power Consumption | - No load & Vin = 230 VAC - No load & Vin = 115 VAC | 100 mW max. (Ready to meet ErP directive) 100 mW max. |
| Input Current | - Full load & Vin = 230 VAC - Full load & Vin = 115 VAC | 90 mA max. 150 mA max. |
| Input Inrush Current | - At 230 VAC - At 115 VAC | 60 A max. 30 A max. |
| Recommended Input Fuse | | 1'600 mA (slow blow) (The need of an external fuse has to be assessed in the final application.) |

Output Specifications

| | | |
|--|--|---|
| Voltage Set Accuracy | | ±2% max. |
| Regulation | - Input Variation (Vmin - Vmax) | 0.2% max. (3.3 & 5 Vout models) 0.1% max. (other models) |
| | - Load Variation (0 - 100%) | 1% max. (3.3 Vout model) 0.5% max. (other models) |
| Ripple and Noise (20 MHz Bandwidth) | 3.3 VDC model: 60 mVp-p max. (w/ 0.1 µF 47 µF) 5 VDC model: 60 mVp-p max. (w/ 0.1 µF 47 µF) 12 VDC model: 120 mVp-p max. (w/ 0.1 µF 47 µF) 24 VDC model: 200 mVp-p max. (w/ 0.1 µF 47 µF) | |
| Capacitive Load | 3.3 VDC model: 3'500 µF max. 5 VDC model: 2'500 µF max. 12 VDC model: 470 µF max. 24 VDC model: 150 µF max. | |
| Minimum Load | | Not required |
| Temperature Coefficient | | ±0.02 %/K max. |
| Hold-up Time | - At 230 VAC | 15 ms min. |
| Start-up Time | - At 230 VAC | 60 ms max. |
| | - At 115 VAC | 60 ms max. |
| Short Circuit Protection | | Continuous, Automatic recovery |
| Output Current Limitation | | 115 - 195% of Iout max. |
| Overvoltage Protection | | 105 - 145% of Vout nom. (By Zener diode) |
| Transient Response | - Response Deviation | 2% typ. / 3% max. (50% to 75% Load Step) |
| | - Response Time | 500 µs max. (50% to 75% Load Step) |

All specifications valid at 230 VAC, resistive full load and +25°C after warm-up time, unless otherwise stated.

Safety Specifications

| | | |
|-----------------------|-----------------------------|--|
| Standards | - IT / Multimedia Equipment | EN 62368-1 IEC 62368-1 UL 62368-1 |
| | - Household | EN 60335-1 IEC 60335-1 |
| | - Power Transformers | IEC 61558-1 IEC 61558-2-16 |
| | - Certification Documents | www.tracopower.com/overview/tmpw5 |
| Protection Class | | Class I & II (Prepared): Reinforced Insulation |
| Pollution Degree | | PD 2 |
| Over Voltage Category | | OVC II |

EMC Specifications

| | | | |
|-----------------|----------------------------------|---|--|
| EMI (Emissions) | - Conducted Emissions | EN 55032 class B (internal filter) | |
| | - Radiated Emissions | EN 55032 class B (internal filter) | |
| | - Harmonic Current Emissions | EN 61000-3-2, class A | |
| | - Voltage Fluctuations & Flicker | EN 61000-3-3 | |
| EMS (Immunity) | | EN 61000-6-2 (Generic Industrial) EN 55024 (IT Equipment) EN 55035 (Multimedia) | |
| | - Electrostatic Discharge | Air: EN 61000-4-2, ± 8 kV, perf. criteria A Contact: EN 61000-4-2, ± 4 kV, perf. criteria A EN 61000-4-3, 10 V/m, perf. criteria A EN 61000-4-4, ± 1 kV, perf. criteria A | |
| | - RF Electromagnetic Field | L to L: EN 61000-4-5, ± 2 kV, perf. criteria A | |
| | - EFT (Burst) / Surge | EN 61000-4-6, 10 Vrms, perf. criteria A | |
| | - Conducted RF Disturbances | Continuous: EN 61000-4-8, 30 A/m, perf. criteria A | |
| | - PF Magnetic Field | 230 VAC / 50 Hz: EN 61000-4-11 30%, 25 periods, perf. criteria A 60%, 10 periods, perf. criteria B >95%, 0.5 periods, perf. criteria A >95%, 250 periods, perf. criteria B 100%, 1 period, perf. criteria A 100%, 250 periods, perf. criteria B | |
| | - Voltage Dips & Interruptions | 115 VAC / 60 Hz: EN 61000-4-11 30%, 25 periods, perf. criteria A 60%, 10 periods, perf. criteria B >95%, 0.5 periods, perf. criteria A >95%, 250 periods, perf. criteria B 100%, 1 period, perf. criteria A 100%, 250 periods, perf. criteria B | |
| | EMC / Environmental | - Certification Documents | www.tracopower.com/overview/tmpw5 |

General Specifications

| | | |
|---------------------------|-------------------------|--|
| Relative Humidity | | 95% max. (non condensing) |
| Temperature Ranges | - Operating Temperature | -40°C to +70°C |
| | - Storage Temperature | -40°C to +85°C |
| Power Derating | - High Temperature | 2.5 %/K above 50°C (High Temperature) 2.0 %/K below -30°C (Low Temperature) |
| | | See application note: www.tracopower.com/overview/tmpw5 |
| Cooling System | | Natural convection (20 LFM) |
| Altitude During Operation | | 5'000 m max. (acc. IEC 62368-1) |
| | | 2'000 m max. (acc. IEC 60335-1) |
| Switching Frequency | | 60 - 150 kHz (PWM, PFM) |
| Insulation System | | Reinforced Insulation |
| Working Voltage (rated) | | 314 VAC |

All specifications valid at 230 VAC, resistive full load and +25°C after warm-up time, unless otherwise stated.

| | | |
|--------------------------|-------------------------|--|
| Isolation Test Voltage | - Input to Output, 60 s | 4'000 VAC |
| Leakage Current | - Touch Current | 250 µA max. |
| Reliability | - Calculated MTBF | 450'000 h (MIL-HDBK-217F, ground benign) |
| Washing Process | | Not allowed |
| Environment | - Vibration | IEC 60068-2-6 2 g, 3 axis, 60 min, 10-500 Hz, 10 min/cycle |
| | - Mechanical Shock | IEC 60068-2-27 |
| Housing Material | | Plastic resin (UL 94 V-0 rated) |
| Potting Material | | Silicone (UL 94 V-0 rated) (Hermetical sealed structure, dust-proof only non water-proof) |
| Pin Material | | Brass |
| Pin Surface Plating | | Tin (120 µm min.), matte |
| Housing Type | | Plastic Case |
| Mounting Type | | PCB Mount |
| Connection Type | | THD (Through-Hole Device) |
| Soldering Profile | | Lead-Free Wave Soldering 270°C / 3 s max. |
| Weight | | 24 g |
| Environmental Compliance | - REACH Declaration | www.tracopower.com/info/reach-declaration.pdf REACH SVHC list compliant REACH Annex XVII compliant |
| | - RoHS Declaration | www.tracopower.com/info/rohs-declaration.pdf Exemptions: 7c-I (RoHS exemptions refer to the component concentration only, not to the overall concentration in the product (O5A rule).) |
| | - SCIP Reference Number | 79d4e69a-723c-47d9-b6f6-0ff48d488f7b |

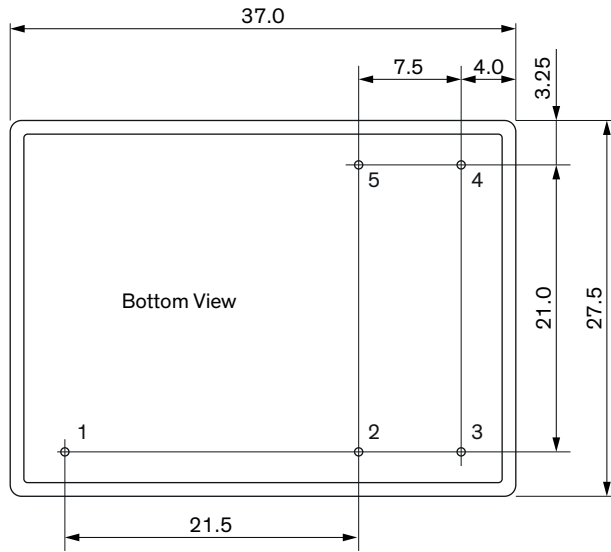
Supporting Documents

Overview Link (for additional Documents)

www.tracopower.com/overview/tmpw5

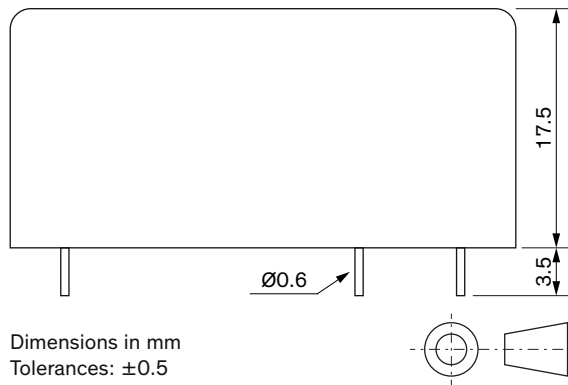
All specifications valid at 230 VAC, resistive full load and +25°C after warm-up time, unless otherwise stated.

Outline Dimensions



| Pinout | |
|--------|-----------|
| Pin | Function |
| 1 | NC |
| 2 | +Vout |
| 3 | -Vout |
| 4 | AC IN (L) |
| 5 | AC IN (N) |

NC: Not connected



Dimensions in mm
Tolerances: ±0.5