

DIN-Rail Mounting Kit

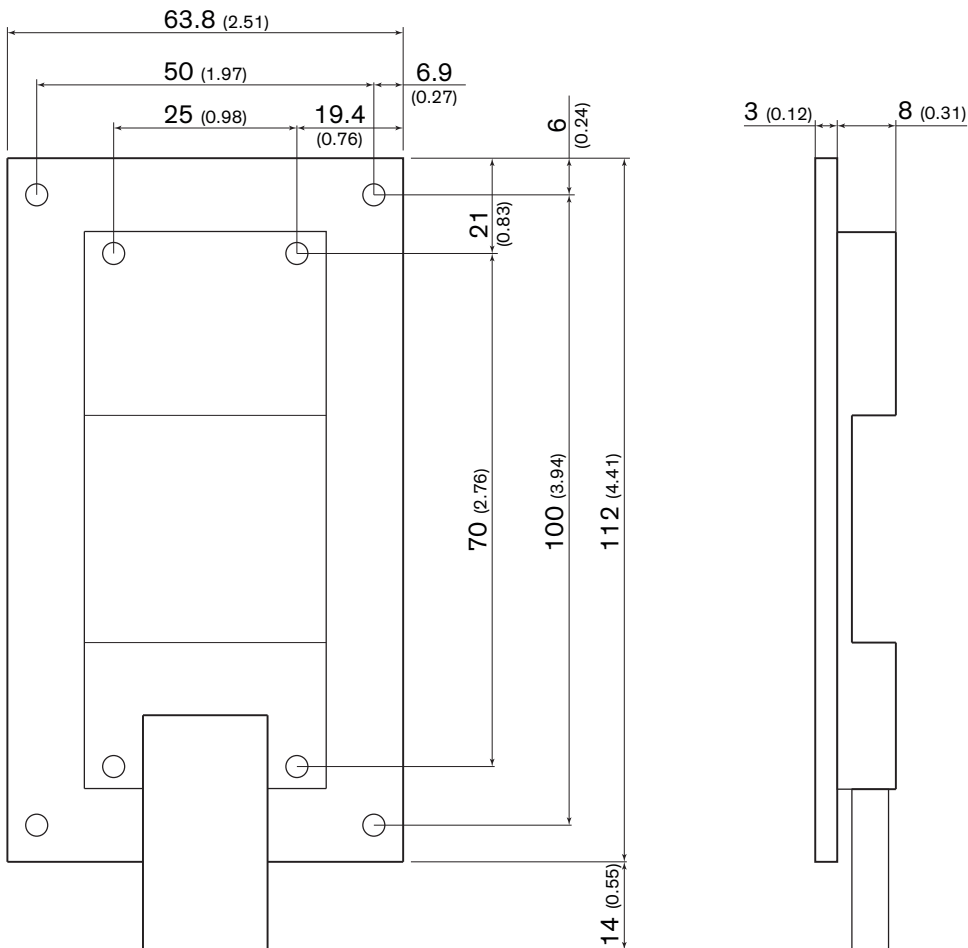
TMP-MK2



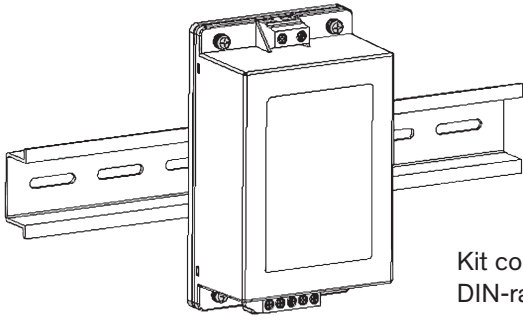
Order Code	TMP-MK2
Compatible with	TMDC 40, TMDC 40H, TMDC 60, TMDC 60H, TMM 40C, TMM 60C, TMP 30C, TMP 60C
Mounting Kit Type	DIN-Rail Mounting Kit (EN 60715 - 35x7.5mm/35x15mm)
Package content	1x DIN Rail Clip 1x Heat Sink (Mounting Plate) 4x Screw M3x12, round head 4x Screw M3x8, round head
Material	Plastic, Aluminum
Weight	94.1 g
RoHS Exemptions	No Exemptions
Overview Link	www.tracopower.com/overview/tmp-mk2

Outline Dimensions

Mechanical Drawing



Exploded View



Kit contains interface plate,
DIN-rail clip and screws

