

## DIN-Rail Mounting Kit

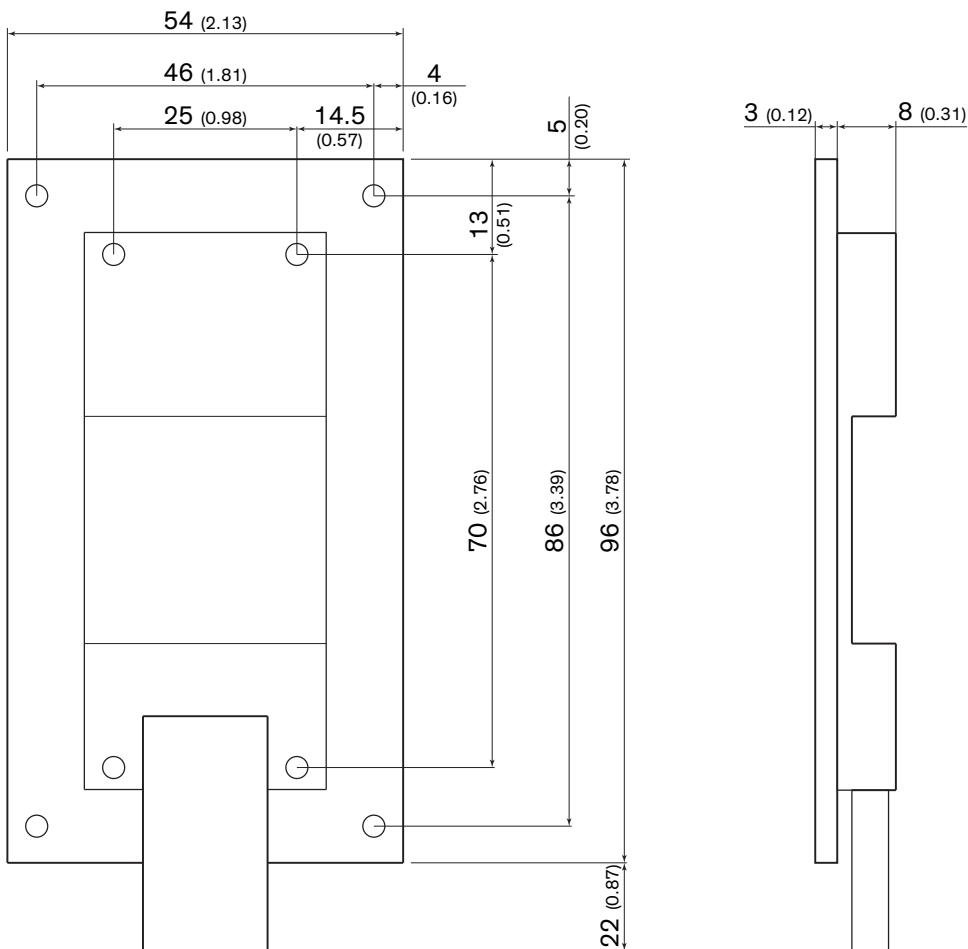
## TMP-MK1



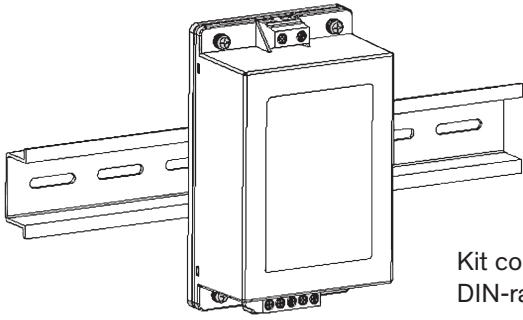
<b>Order Code</b>	<b>TMP-MK1</b>
<b>Compatible with</b>	TMDC 20, TMDC 20H, TMM 24C, TMP 15C
<b>Mounting Kit Type</b>	DIN-Rail Mounting Kit (EN 60715 - 35x7.5mm/35x15mm)
<b>Package content</b>	1x DIN Rail Clip 1x Heat Sink (Mounting Plate) 4x Screw M3x12, round head 4x Screw M3x8, round head
<b>Material</b>	Plastic, Aluminum
<b>Weight</b>	78.5 g
<b>RoHS Exemptions</b>	No Exemptions
<b>Overview Link</b>	<a href="http://www.tracopower.com/overview/tmp-mk1">www.tracopower.com/overview/tmp-mk1</a>

### Outline Dimensions

#### Mechanical Drawing



**Exploded View**



Kit contains interface plate,  
DIN-rail clip and screws

