

- Fully encapsulated chassis mount modules
- High 2:1 input voltage range: 80-160 VDC
- Reinforced I/O-isolation 3'000 VAC
- Harsh industrial EMC capabilities: Integrated filters for emission (EN 55032) & immunity (EN 55035)
- Operating temperature range -40 to +85°C without derating
- Protection against overload, undervoltage and short circuit
- DC-OK (LED) and Remote On/Off function
- IEC/EN/UL 62368-1 safety approvals
- 3-year product warranty



The TMDC 20H series complements Traco Power's successful TMDC line of Industrial DC/DC off-board modules. All models provide a high 2:1 input voltage range from 80-160 VDC and a reinforced 3000 VAC isolation voltage as well as fully regulated outputs. Internal filters limit conducted and radiated emissions (EN 55032 class A) but also increase the modules EMC immunity (EN 55035). The modules come in fully encapsulated plastic packages and feature a high temperature range from -40° up to 85°C without derating. Latest IT safety certifications (UL 62368-1) and DC-OK and remote on/off functions complete the package to provide an ideal solution for many harsh industrial and 110 VDC battery applications in need of a reinforced isolation to provide a safe SELV output.

Models

Order Code	Input Voltage Range	Output 1		Output 2		Efficiency typ.
		Vnom	I _{max}	Vnom	I _{max}	
TMDC 20-7211H	80 - 160 VDC (110 VDC nom.)	5.1 VDC	4'000 mA			87 %
TMDC 20-7212H		12 VDC	1'670 mA			88 %
TMDC 20-7213H		15 VDC	1'340 mA			88 %
TMDC 20-7215H		24 VDC	830 mA			88 %
TMDC 20-7218H		48 VDC	420 mA			86 %
TMDC 20-7222H		+12 VDC	830 mA	-12 VDC	830 mA	87 %
TMDC 20-7223H		+15 VDC	670 mA	-15 VDC	670 mA	87 %
TMDC 20-7225H		+24 VDC	420 mA	-24 VDC	420 mA	87 %

Options

TMP-MK1	- Optional DIN-Rail Mounting Kit: www.tracopower.com/overview/tmp-mk1
---------	--------------------------------------------------------------------------------------------------------------------------------

Input Specifications

Input Current	- At no load - At full load	10 mA typ. 209 mA typ.
Surge Voltage		170 VDC max. (100 ms max.)
Under Voltage Lockout		65 VDC min. / 70 VDC typ.
Recommended Input Fuse		1'800 mA (The need of an external fuse has to be assessed in the final application.)
Input Filter		Internal Pi-Type

Output Specifications

Voltage Set Accuracy		±2% max.
Regulation	- Input Variation (Vmin - Vmax) - Load Variation (0 - 100%) - Voltage Balance (symmetrical load) - Cross Regulation (25% / 100% asym. load)	single output models: 1% max. dual output models: 1% max. single output models: 1% max. dual output models: 1% max. (Output 1) 1% max. (Output 2) dual output models: 2% max. dual output models: 5% max.
Ripple and Noise (20 MHz Bandwidth)	- single output - dual output	5.1 Vout models: 100 mVp-p max. 12 Vout models: 150 mVp-p max. 15 Vout models: 150 mVp-p max. 24 Vout models: 150 mVp-p max. 48 Vout models: 200 mVp-p max. 12 / -12 Vout models: 150 / 150 mVp-p max. 15 / -15 Vout models: 150 / 150 mVp-p max. 24 / -24 Vout models: 200 / 200 mVp-p max.
Capacitive Load	- single output - dual output	5.1 Vout models: 6'800 µF max. 12 Vout models: 1'200 µF max. 15 Vout models: 750 µF max. 24 Vout models: 300 µF max. 48 Vout models: 75 µF max. 12 / -12 Vout models: 380 / 380 µF max. 15 / -15 Vout models: 380 / 380 µF max. 24 / -24 Vout models: 150 / 150 µF max.
Minimum Load		Not required
Temperature Coefficient		±0.02 %/K max.
Start-up Time		30 ms typ. / 60 ms max.
Short Circuit Protection		Continuous, Automatic recovery
Output Current Limitation		180% max. of Iout max. 150% typ. of Iout max.
Overvoltage Protection		120% typ. of Vout nom. (5.1, 15, ±15 Vout models) 125% typ. of Vout nom. (other models) (By Zener diode)
Transient Response	- Response Deviation - Response Time	5% max. (75% to 100% Load Step) 250 µs typ. (75% to 100% Load Step)

Safety Specifications

Standards	- IT / Multimedia Equipment - Certification Documents	EN 62368-1 IEC 62368-1 UL 62368-1 www.tracopower.com/overview/tmdc20h
Pollution Degree		PD 3

All specifications valid at nominal voltage, resistive full load and +25°C after warm-up time, unless otherwise stated.

EMC Specifications

EMI (Emissions)	- Conducted Emissions	EN 55032 class A (internal filter) FCC 47 Part 15 class A (internal filter)
	- Radiated Emissions	EN 55032 class A (internal filter) FCC 47 Part 15 class A (internal filter)
EMS (Immunity)	- Electrostatic Discharge	Air: EN 55035 (Multimedia) EN 61000-4-2, ±8 kV, perf. criteria A
	- RF Electromagnetic Field	Contact: EN 61000-4-2, ±6 kV, perf. criteria A EN 61000-4-3, 10 V/m, perf. criteria A
	- EFT (Burst) / Surge	EN 61000-4-4, ±2 kV, perf. criteria A EN 61000-4-5, ±2 kV, perf. criteria A
	- Conducted RF Disturbances	EN 61000-4-6, 10 Vrms, perf. criteria A
	- PF Magnetic Field	Continuous: EN 61000-4-8, 100 A/m, perf. criteria A
EMC / Environmental	- Certification Documents	www.tracopower.com/overview/tmdc20h

General Specifications

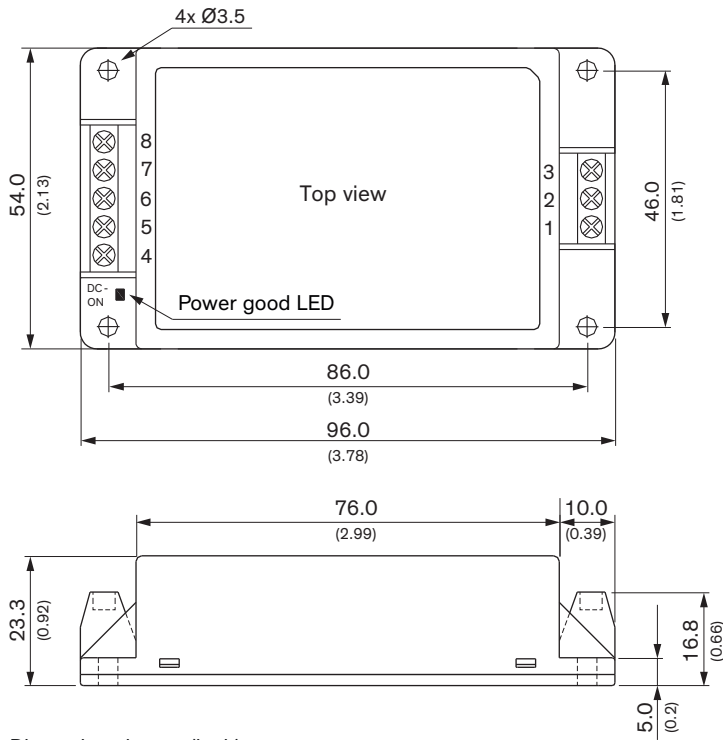
Relative Humidity		95% max. (non condensing)
Temperature Ranges	- Operating Temperature	-40°C to +95°C
	- Case Temperature	+105°C max.
	- Storage Temperature	-50°C to +125°C
Power Derating	- High Temperature	4.76 %/K above 84°C
		See application note: www.tracopower.com/overview/tmdc20h
Cooling System		Natural convection (20 LFM)
Remote Control	- Voltage Controlled Remote (passive = on)	On: 3.5 to 12 VDC or open circuit Off: 0 to 1.2 VDC or short circuit Refers to 'Remote' and '-Vin' Pin
	- Off Idle Input Current	3 mA typ.
	- Remote Pin Input Current	-0.5 to 0.5 mA
Switching Frequency		187 - 253 kHz (PWM) (5.1 Vin models) 238 - 322 kHz (PWM) (other models)
Insulation System		Reinforced Insulation
Working Voltage (rated)		1'000 VAC
Isolation Test Voltage	- Input to Output, 60 s	3'000 VAC
Isolation Resistance	- Input to Output, 500 VDC	1'000 MΩ min.
Isolation Capacitance	- Input to Output, 100 kHz, 1 V	2'200 pF max.
Reliability	- Calculated MTBF	697'000 h (MIL-HDBK-217F, ground benign)
Housing Material		Plastic resin (UL 94 V-0 rated)
Potting Material		Silicone (UL 94 V-0 rated)
Housing Type		Plastic Case
Mounting Type		Chassis Mount
Connection Type		Screw Terminal
Weight		107 g
Environmental Compliance	- REACH Declaration	www.tracopower.com/info/reach-declaration.pdf REACH SVHC list compliant REACH Annex XVII compliant
	- RoHS Declaration	www.tracopower.com/info/rohs-declaration.pdf Exemptions: 6c, 7a (RoHS exemptions refer to the component concentration only, not to the overall concentration in the product (O5A rule.))
	- SCIP Reference Number	dc3a580a-1f78-40f4-a08b-c2966381cb47

Supporting Documents

Overview Link (for additional Documents)	www.tracopower.com/overview/tmdc20h
------------------------------------------	----------------------------------------------------------------------------------------------

All specifications valid at nominal voltage, resistive full load and +25°C after warm-up time, unless otherwise stated.

Outline Dimensions



Dimensions in mm (inch)
Tolerances: x.x ±0.5 (±0.02)

Mounting screw locked torque: 0.49 Nm (5.0 kgfcm)

Pinout		
Pin*	Single Output	Dual Output
1	Remote	Remote
2	-Vin (GND)	-Vin (GND)
3	+Vin (Vcc)	+Vin (Vcc)
4	NC	NC
5	-Vout	-Vout
6	NC	Common
7	+Vout	+Vout
8	NC	NC

NC: Not connected

* Wires 1.5 mm² max.

Terminal screw locked torque: 0.5 Nm max.