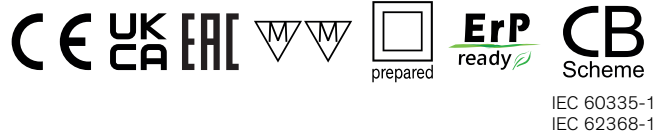


- High efficiency switching power supplies
- Easy installation into standard flush boxes
- Fully encapsulated plastic housing
- Dust and waterproof to IP 67
- Protection class II
- Safety approval to IEC/EN 62368-1, EN 50178, IEC/EN 60335-1
- Approved for mounting onto wood or materials with unknown flammability
- Ready to meet ErP directive
- Universal input range 90 to 264 VAC
- Regulated output voltage
- 3-year product warranty



The TIW series is a new range of small size DC-power supplies which have been designed particularly for applications in home and office installations. The compact module cases fit in the standardized in-wall flush boxes or also can be mounted on walls. The power supplies fully comply with the safety and EMC standards requested for commercial and residential class II installations. Typical applications are powering of electric devices used in home automation and in security systems like e.g. controllers, indicators, etc.

Models				
Order Code	Output Power max.	Output Voltage nom.	Output Current max.	Efficiency typ.
TIW 24-112	24 W	12 VDC	2'000 mA	83 %
TIW 24-124		24 VDC	1'000 mA	85 %

Input Specifications

Input Voltage	- AC Range	Operational Range: 90 - 264 VAC (Full Range) Rated Range: 100 - 240 VAC (Full Range)
	- DC Range	Operational Range: 90 - 370 VDC (Designed for, no certification) Polarity: +DC: L / -DC: N
Input Frequency		Operational Range: 47 - 63 Hz Certified: 50/60 Hz
Power Consumption	- No load & Vin = 230 VAC - No load & Vin = 115 VAC	300 mW max. (Ready to meet ErP directive) 300 mW max.
Input Inrush Current	- At 230 VAC - At 115 VAC	24 A max. 12 A max.
Recommended Input Fuse		6'000 mA (slow blow) (The need of an external fuse has to be assessed in the final application.)

Output Specifications

Voltage Set Accuracy		±3% max.
Regulation	- Input Variation (Vmin - Vmax) - Load Variation (0 - 100%)	1% max. 2% max.
Ripple and Noise (20 MHz Bandwidth)		200 mVp-p max.
Minimum Load		Not required
Hold-up Time	- At 230 VAC - At 115 VAC	20 ms min. 5 ms min.
Start-up Time	- At 230 VAC - At 115 VAC	1'000 ms max. 1'000 ms max.
Short Circuit Protection		Continuous, Automatic recovery
Output Current Limitation		250% max. of Iout max.

Safety Specifications

Standards	- IT / Multimedia Equipment - Household - Power Installation - LED Modules Controlgear - Luminaires for Furniture - Power Transformers - Certification Documents	EN 60950-1 EN 62368-1 IEC 60950-1 IEC 62368-1 EN 60335-1 IEC 60335-1 EN 50178 IEC 62103 EN 61347-1 EN 61347-2-13 VDE 0710-14 EN 61558-1 EN 61558-2-8 EN 61558-2-16 www.tracopower.com/overview/tiw24
Protection Class		Class I & II (Prepared): Reinforced Insulation
Class 2 Power Units		UL 1310

EMC Specifications

EMI Emissions	- Conducted Emissions - Radiated Emissions - Harmonic Current Emissions	EN 61000-6-3 (Generic Residential) EN 55014-1 (internal filter) EN 55032 class B (internal filter) EN 55014-1 (internal filter) EN 55032 class B (internal filter) EN 61000-3-2, class A
---------------	---	---

All specifications valid at nominal voltage, resistive full load and +25°C after warm-up time, unless otherwise stated.

EMS Immunity		EN 61000-6-2 (Generic Industrial) EN 61204-3 (Low Voltage Power Supplies)
	- Electrostatic Discharge	Air: EN 61000-4-2, ± 8 kV, perf. criteria B Contact: EN 61000-4-2, ± 4 kV, perf. criteria B EN 61000-4-3, 3 V/m, perf. criteria A EN 61000-4-4, ± 0.5 kV, perf. criteria A EN 61000-4-4, ± 2 kV, perf. criteria B
	- RF Electromagnetic Field	L to L: EN 61000-4-5, ± 1 kV, perf. criteria A EN 61000-4-6, 3 Vrms, perf. criteria A
	- EFT (Burst) / Surge	230 VAC / 50 Hz: EN 61000-4-11 30%, 0.5 periods, perf. criteria A 60%, 5 periods, perf. criteria B
	- Conducted RF Disturbances	115 VAC / 60 Hz: EN 61000-4-11 30%, 0.5 periods, perf. criteria B 60%, 5 periods, perf. criteria B
	- Voltage Dips & Interruptions	

General Specifications

Relative Humidity		100% max.
Temperature Ranges	- Operating Temperature	-25°C to +50°C (without derating) (Please take heat sources (such as lamps) nearby into consideration for ambient temperature of the power supply.)
Power Derating	- Low Input Voltage	0.45 %/V below 187 VAC (down to 132 VAC) 1.5 %/V below 100 VAC (down to 90 VAC) 0.3 %/V below 224 VDC (down to 142 VDC) 0.5 %/V below 120 VDC (down to 90 VDC)
Over Temperature Protection Switch Off	- Protection Mode - Measurement Point	140°C typ. (Automatic recovery) Internal IC temperature
Cooling System		Natural convection (20 LFM)
Altitude During Operation		3'000 m max.
Insulation System		Reinforced Insulation
Isolation Test Voltage	- Input to Output, 60 s	3'000 VAC
Leakage Current (at 254.4 VAC / 60Hz)	- Touch Current	0.25 mA max.
Reliability	- Calculated MTBF	(Please refer to application-note.)
Environment	- Vibration - Mechanical Shock	IEC 60068-2-6 5 g, 3 axis, sine sweep, 60-500 Hz IEC 60068-2-27 50 g, 3 axis, half sine, 11 ms
Case Ingress Protection		IP 67 (acc. IEC 60529)
Housing Material		Plastic (UL 94 V-0 rated)
Potting Material		Epoxy (UL 94 V-0 rated) (variant 1) Polyurethane (UL 94 V-2 rated) (variant 2)
Housing Type		Plastic Case
Mounting Type		Chassis Mount
Connection Type		Flying Leads
Weight		100 g
Environmental Compliance	- REACH Declaration - RoHS Declaration - SCIP Reference Number	www.tracopower.com/info/reach-declaration.pdf REACH SVHC list compliant REACH Annex XVII compliant www.tracopower.com/info/rohs-declaration.pdf Exemptions: 7a, 7c-I (RoHS exemptions refer to the component concentration only, not to the overall concentration in the product (O5A rule.)) 1d7212fa-2996-4690-8d3d-bc6fff873872

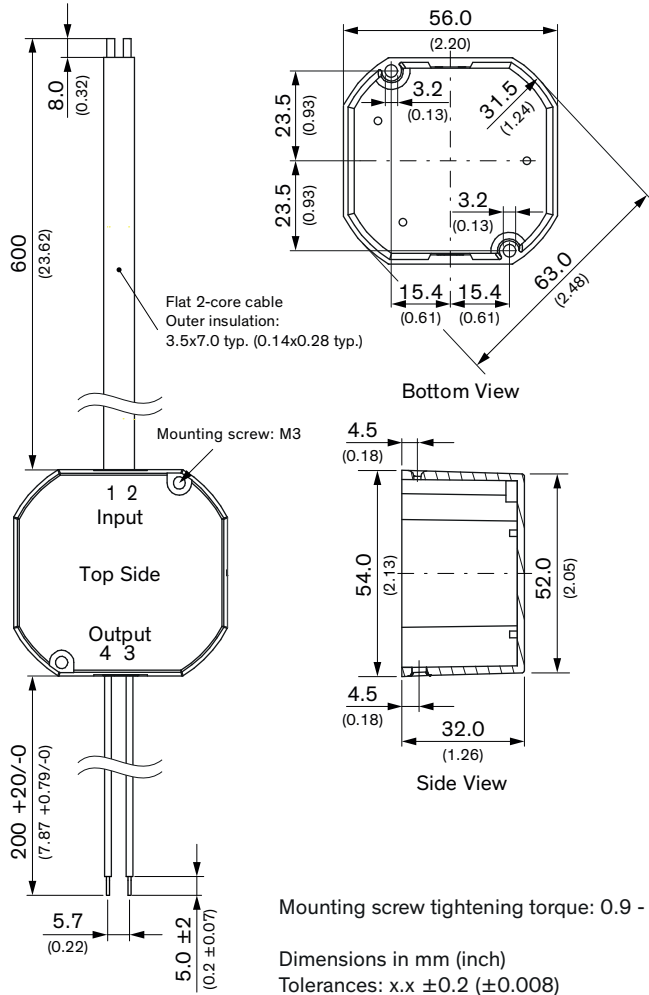
All specifications valid at nominal voltage, resistive full load and +25°C after warm-up time, unless otherwise stated.

Supporting Documents

Overview Link (for additional Documents)

www.tracopower.com/overview/tiw24

Outline Dimensions



Pinout			
Pin	Function	Color	Type
1	AC (N)	White	18AWG / 0.82mm ²
2	AC (L)	Black	18AWG / 0.82mm ²
3	- Vout	Black	20AWG / 0.52mm ²
4	+ Vout	Red	20AWG / 0.52mm ²