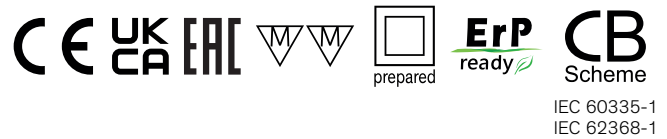


- High efficiency switching power supplies
- Easy installation into standard flush boxes
- Fully encapsulated plastic housing
- Dust and waterproof to IP 67
- Protection class II
- Safety approval to IEC/EN 62368-1, EN 50178, IEC/EN 60335-1
- Approved for mounting onto wood or materials with unknown flammability
- Ready to meet ErP directive
- Universal input range 90 to 264 VAC
- Regulated output voltage
- 3-year product warranty



The TIW series is a new range of small size DC-power supplies which have been designed particularly for applications in home and office installations. The compact module cases fit in the standardized in-wall flush boxes or also can be mounted on walls. The power supplies fully comply with the safety and EMC standards requested for commercial and residential class II installations. Typical applications are powering of electric devices used in home automation and in security systems like e.g. controllers, indicators, etc.

Models					
Order Code	Output Power max.	Output Voltage nom.	Output Current max.	Output Current peak	Efficiency typ.
TIW 06-103	4 W	3.3 VDC	1'200 mA	1'560 mA	73 %
TIW 06-105	5 W	5 VDC	1'000 mA	1'300 mA	76 %
TIW 06-106	6 W	6 VDC	1'000 mA	1'300 mA	81 %

### Input Specifications

Input Voltage	- AC Range	Operational Range: <b>90 - 264 VAC</b> (Full Range) Rated Range: <b>100 - 240 VAC</b> (Full Range)
	- DC Range	Operational Range: <b>130 - 375 VDC</b> (Designed for, no certification) Polarity: <b>+DC: L / -DC: N</b>
Input Frequency		Operational Range: <b>47 - 63 Hz</b> Certified: <b>50/60 Hz</b>
Power Consumption	- No load & Vin = 230 VAC - No load & Vin = 115 VAC	<b>300 mW max.</b> (Ready to meet ErP directive) <b>300 mW max.</b>
Input Inrush Current	- At 230 VAC - At 115 VAC	<b>24 A max.</b> <b>12 A max.</b>
Recommended Input Fuse		<b>6'000 mA</b> (slow blow) (The need of an external fuse has to be assessed in the final application.)

### Output Specifications

Voltage Set Accuracy		<b>±3% max.</b>
Regulation	- Input Variation (Vmin - Vmax) - Load Variation (0 - 100%)	<b>1% max.</b> <b>2% max.</b>
Boost Power		Output Current peak: See model table Peak power time: 10 s max. Peak power duty cycle: 10% max.
Ripple and Noise (20 MHz Bandwidth)		<b>200 mVp-p max.</b>
Minimum Load		Not required
Hold-up Time	- At 230 VAC - At 115 VAC	<b>20 ms min.</b> <b>5 ms min.</b>
Start-up Time	- At 230 VAC - At 115 VAC	<b>1'000 ms max.</b> <b>1'000 ms max.</b>
Short Circuit Protection		Continuous, Automatic recovery
Output Current Limitation		<b>250% max.</b> of Iout max.

### Safety Specifications

Standards	- IT / Multimedia Equipment  - Household  - Power Installation  - LED Modules Controlgear  - Luminaires for Furniture - Power Transformers  - Certification Documents	EN 60950-1 EN 62368-1 IEC 60950-1 IEC 62368-1 EN 60335-1 IEC 60335-1 EN 50178 IEC 62103 EN 61347-1 EN 61347-2-13 VDE 0710-14 EN 61558-1 EN 61558-2-8 EN 61558-2-16 <a href="http://www.tracopower.com/overview/tiw06">www.tracopower.com/overview/tiw06</a>
Protection Class		Class I & II (Prepared): Reinforced Insulation
Class 2 Power Units		UL 1310

All specifications valid at nominal voltage, resistive full load and +25°C after warm-up time, unless otherwise stated.

## EMC Specifications

<b>EMI (Emissions)</b>		EN 61000-6-3 (Generic Residential)
- Conducted Emissions		EN 55014-1 (internal filter)
- Radiated Emissions		EN 55032 class B (internal filter)
		EN 55014-1 (internal filter)
- Harmonic Current Emissions		EN 55032 class B (internal filter)
		EN 61000-3-2, class A
<b>EMS (Immunity)</b>		EN 61000-6-2 (Generic Industrial)
		EN 61204-3 (Low Voltage Power Supplies)
- Electrostatic Discharge		Air: EN 61000-4-2, $\pm 8$ kV, perf. criteria B
		Contact: EN 61000-4-2, $\pm 4$ kV, perf. criteria B
- RF Electromagnetic Field		EN 61000-4-3, 3 V/m, perf. criteria A
- EFT (Burst) / Surge		EN 61000-4-4, $\pm 0.5$ kV, perf. criteria A
		EN 61000-4-4, $\pm 2$ kV, perf. criteria B
		L to L: EN 61000-4-5, $\pm 1$ kV, perf. criteria A
- Conducted RF Disturbances		EN 61000-4-6, 3 Vrms, perf. criteria A
- Voltage Dips & Interruptions	230 VAC / 50 Hz:	EN 61000-4-11
		30%, 0.5 periods, perf. criteria A
		60%, 5 periods, perf. criteria B
	115 VAC / 60 Hz:	EN 61000-4-11
		30%, 0.5 periods, perf. criteria B
		60%, 5 periods, perf. criteria B
<b>EMC / Environmental</b>	- Certification Documents	<a href="http://www.tracopower.com/overview/tiw06">www.tracopower.com/overview/tiw06</a>

## General Specifications

<b>Relative Humidity</b>		100% max.
<b>Temperature Ranges</b>	- Operating Temperature	-25°C to +50°C (without derating) (Please take heat sources (such as lamps) nearby into consideration for ambient temperature of the power supply.)
<b>Over Temperature Protection Switch Off</b>	- Protection Mode - Measurement Point	140°C typ. (Automatic recovery) Internal IC temperature
<b>Cooling System</b>		Natural convection (20 LFM)
<b>Altitude During Operation</b>		3'000 m max.
<b>Insulation System</b>		Reinforced Insulation
<b>Isolation Test Voltage</b>	- Input to Output, 60 s	3'000 VAC
<b>Leakage Current</b> (at 254.4 VAC / 60Hz)	- Touch Current	0.25 mA max.
<b>Reliability</b>	- Calculated MTBF	(Please refer to application-note.)
<b>Environment</b>	- Vibration	IEC 60068-2-6 5 g, 3 axis, sine sweep, 60-500 Hz
	- Mechanical Shock	IEC 60068-2-27 50 g, 3 axis, half sine, 11 ms
<b>Case Ingress Protection</b>		IP 67 (acc. IEC 60529)
<b>Housing Material</b>		Plastic (UL 94 V-0 rated)
<b>Potting Material</b>		Epoxy (UL 94 V-0 rated) (variant 1) Polyurethane (UL 94 V-2 rated) (variant 2)
<b>Housing Type</b>		Plastic Case
<b>Mounting Type</b>		Chassis Mount
<b>Connection Type</b>		Flying Leads
<b>Weight</b>		80 g

All specifications valid at nominal voltage, resistive full load and +25°C after warm-up time, unless otherwise stated.

Environmental Compliance - REACH Declaration

[www.tracopower.com/info/reach-declaration.pdf](http://www.tracopower.com/info/reach-declaration.pdf)

- RoHS Declaration

REACH SVHC list compliant

REACH Annex XVII compliant

[www.tracopower.com/info/rohs-declaration.pdf](http://www.tracopower.com/info/rohs-declaration.pdf)

Exemptions: 7a, 7c-I

(RoHS exemptions refer to the component concentration only, not to the overall concentration in the product (O5A rule))

- SCIP Reference Number

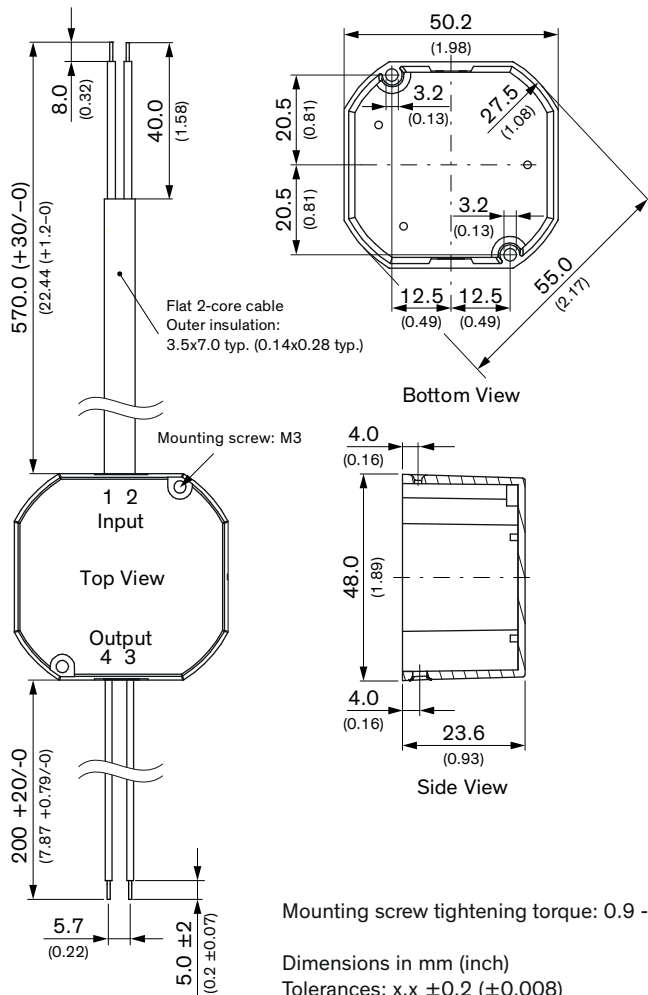
b9e41abd-c658-45d9-9349-65183c79d4ce

### Supporting Documents

[Overview Link](#) (for additional Documents)

[www.tracopower.com/overview/tiw06](http://www.tracopower.com/overview/tiw06)

### Outline Dimensions



Pinout			
Pin	Function	Color	Type
1	AC (N)	White	18AWG / 0.82mm <sup>2</sup>
2	AC (L)	Black	18AWG / 0.82mm <sup>2</sup>
3	- Vout	Black	20AWG / 0.52mm <sup>2</sup>
4	+ Vout	Red	20AWG / 0.52mm <sup>2</sup>