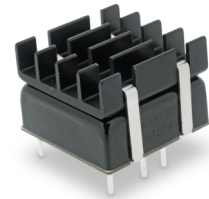


Heat Sink

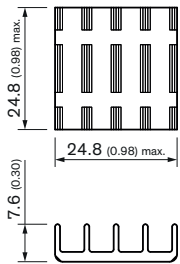
THN-HS2

Order Code	THN-HS2
Compatible with	THN 10WIR, THN 10UIR, THN 15N, THN 15WIR, THN 15UIR, THN 20WIR, THN 30WIR
Thermal Impedance	Please refer to converter datasheets
Package Content	Heatsink, thermal pad and 2 clamps
Material	AL 6063
Surface Finish	Anodized (black)
Weight	4.53 g (without converter)
RoHS Exemptions	No Exemptions
Overview Link	www.tracopower.com/overview/thn-hs2



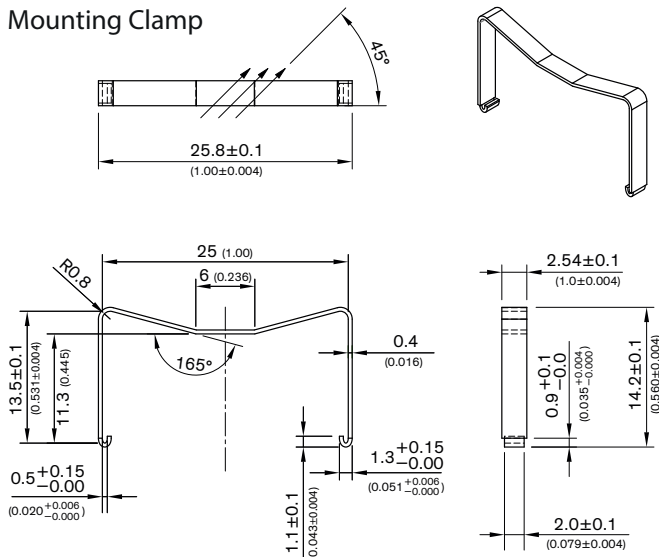
Outline Dimensions

Heat Sink



All dimensions in mm (inch)
 Tolerance: x.x ±0.5 (x.xx ±0.02)
 x.xx ±0.25 (x.xxx ±0.010)

Mounting Clamp



All dimensions in mm (inch)