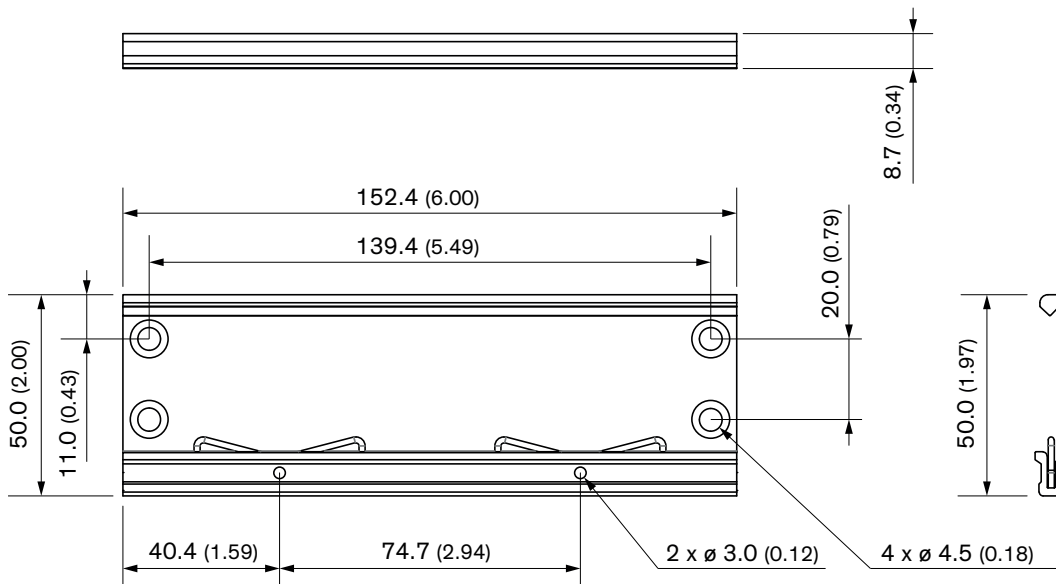


Order Code	TEQ-MK2
Compatible with	TEQ 300WIR
Mounting Kit Type	DIN-Rail Mounting Kit (EN 60715 - 35x7.5mm/35x15mm)
Package content	1x DIN-Rail clipper 4x Countersunk head screw M4x7.5
Material	Aluminum Alloy, Stainless Steel
Weight	72.2 g
RoHS Exemptions	No Exemptions
Overview Link	www.tracopower.com/overview/teq-mk2



Outline Dimensions



Dimensions in mm (inch)