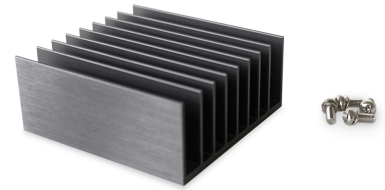


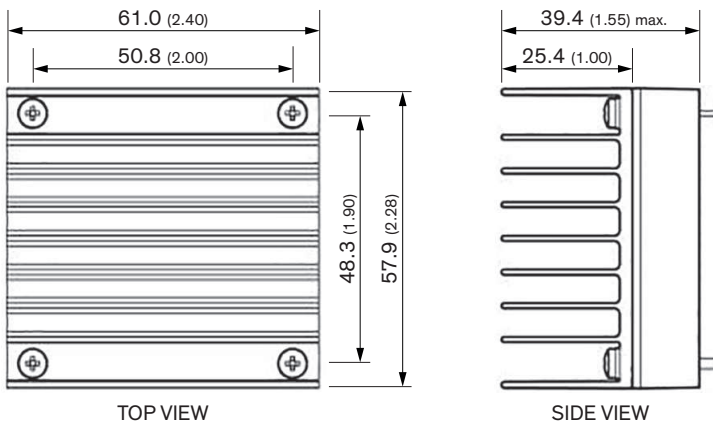
## Heat Sink

## TEP-HS7

<b>Order Code</b>	<b>TEP-HS7</b>
<b>Compatible with</b>	TEP 150UIR, TEP 200UIR
<b>Thermal Impedance</b>	Please refer to converter datasheets
<b>Package Content</b>	Heatsink, thermal pad and mounting screws
<b>Material</b>	AL 6063
<b>Surface Finish</b>	Anodized (black)
<b>Weight</b>	70.7 g (without converter)
<b>RoHS Exemptions</b>	No Exemptions
<b>Overview Link</b>	<a href="http://www.tracopower.com/overview/tep-hs7">www.tracopower.com/overview/tep-hs7</a>



### Outline Dimensions



Dimensions in mm (inch)  
Tolerances: x.x ±0.5 (x.xx ±0.02)  
x.xx ±0.25 (x.xxx ±0.01)