

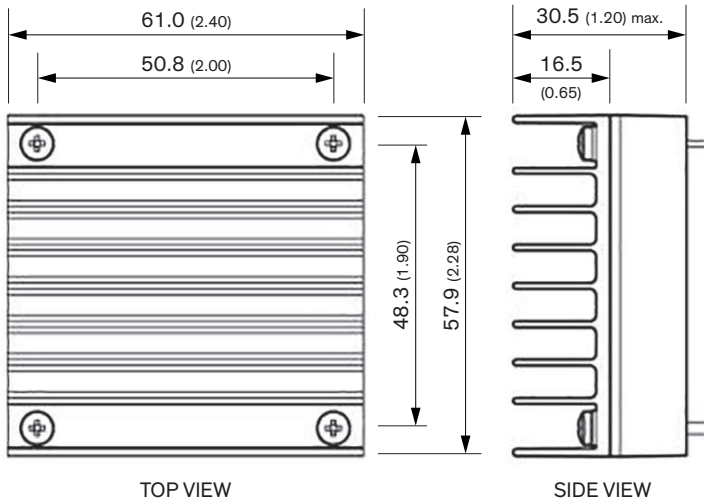
## Heat Sink

## TEP-HS6

|                          |  |
|--------------------------|--|
| <b>Order Code</b>        | <b>TEP-HS6</b>   |
| <b>Compatible with</b>   | TEP 150UIR, TEP 200UIR   |
| <b>Thermal Impedance</b> | Please refer to converter datasheets   |
| <b>Package Content</b>   | Heatsink, thermal pad and mounting screws  |
| <b>Material</b>          | AL 6063  |
| <b>Surface Finish</b>    | Anodized (black)   |
| <b>Weight</b>            | 57.5 g (without converter)   |
| <b>RoHS Exemptions</b>   | No Exemptions  |
| <b>Overview Link</b>     | <a href="http://www.tracopower.com/overview/tep-hs6">www.tracopower.com/overview/tep-hs6</a> |



### Outline Dimensions



Dimensions in mm (inch)  
 Tolerances: x.x ±0.5 (x.xx ±0.02)  
 x.xx ±0.25 (x.xxx ±0.01)