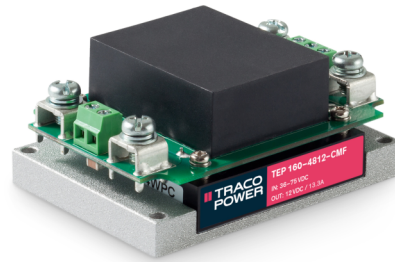


- Compact metal package
- Wide 2:1 input voltage ranges 16.5–36, 33–75 VDC
- Very high efficiency up to 93%
- No minimum load
- Soft start
- Adjustable output voltage +10/-20%
- Sense line
- Remote On/Off input
- Over temperature protection
- 3-year product warranty



The TEP 160 Series is a family of isolated high performance DC/DC converter modules with wide 2:1 input voltage ranges which come in a rugged, sealed industry standard half brick package.

A very high efficiency allows full power operation without forced air cooling at 25°C This temperature can be increased to 40°C with optional mounted heatsink or up to 60°C when mounted on an iron base plate. The very wide input voltage range makes these converters interesting solution for battery operated systems. Typical applications are in telecom/datacom, industry control and railway systems for on board power distribution. These series is available in many optional designs on demand --> see options.

Models				
Order Code	Input Voltage Range	Output Voltage nom. (adjustable)	Output Current max.	Efficiency typ.
TEP 160-2410-CMF	16.5 - 36 VDC (24 VDC nom.)	3.3 VDC (2.64 - 3.63 VDC)	40'000 mA	90 %
TEP 160-2411-CMF		5 VDC (4.0 - 5.5 VDC)	30'000 mA	91 %
TEP 160-2412-CMF		12 VDC (9.6 - 13.2 VDC)	13'000 mA	92 %
TEP 160-2413-CMF		15 VDC (12.0 - 16.5 VDC)	10'000 mA	92 %
TEP 160-2415-CMF		24 VDC (19.2 - 26.4 VDC)	6'500 mA	93 %
TEP 160-2416-CMF		28 VDC (22.4 - 30.8 VDC)	5'500 mA	93 %
TEP 160-2418-CMF		48 VDC (38.4 - 52.8 VDC)	3'300 mA	92 %
TEP 160-4810-CMF	33 - 75 VDC (48 VDC nom.)	3.3 VDC (2.64 - 3.63 VDC)	45'000 mA	91 %
TEP 160-4811-CMF		5 VDC (4.0 - 5.5 VDC)	34'000 mA	92 %
TEP 160-4812-CMF		12 VDC (9.6 - 13.2 VDC)	16'000 mA	92 %
TEP 160-4813-CMF		15 VDC (12.0 - 16.5 VDC)	13'000 mA	93 %
TEP 160-4815-CMF		24 VDC (19.2 - 26.4 VDC)	8'000 mA	92 %
TEP 160-4816-CMF		28 VDC (22.4 - 30.8 VDC)	7'000 mA	92 %
TEP 160-4818-CMF		48 VDC (38.4 - 52.8 VDC)	4'000 mA	92 %
TEP 160-48153-CMF		53 VDC (42.4 - 58.3 VDC)	3'700 mA	92 %

Options	
TEP-MK1	- Optional DIN-Rail Mounting Kit: <a href="http://www.tracopower.com/overview/tep-mk1">www.tracopower.com/overview/tep-mk1</a>
on demand (backorder with MOQ non stocking item)	- Optional models with Sync pin to synchronize switching frequency of up to 3 units (EMC reason)

### Input Specifications

Input Current	- At no load	24 Vin models: <b>35 mA typ.</b> 48 Vin models: <b>25 mA typ.</b>
Surge Voltage		24 Vin models: <b>50 VDC max.</b> (1 s max.) 48 Vin models: <b>100 VDC max.</b> (1 s max.)
Under Voltage Lockout		24 Vin models: <b>15.5 VDC min. / 16 VDC typ. / 16.3 VDC max.</b> 48 Vin models: <b>31.6 VDC min. / 32 VDC typ. / 32.5 VDC max.</b>
Recommended Input Fuse		24 Vin models: <b>15'000 mA</b> (fast acting) 48 Vin models: <b>10'000 mA</b> (fast acting) (The need of an external fuse has to be assessed in the final application.)
Input Filter		<b>Internal Pi-Type</b>

### Output Specifications

Output Voltage Adjustment		<b>-20% to +10%</b> (By external trim resistor) See application note: <a href="http://www.tracopower.com/overview/tep160cmf">www.tracopower.com/overview/tep160cmf</a> Output power must not exceed rated power!
Voltage Set Accuracy		<b>±1% max.</b>
Regulation	- Input Variation (Vmin - Vmax) - Load Variation (0 - 100%)	<b>0.1% max.</b> <b>0.1% max.</b>
Ripple and Noise (20 MHz Bandwidth)		3.3 Vout models: <b>75 mVp-p max.</b> (w/ 1 µF X7R    22 µF poscap) 5 Vout models: <b>75 mVp-p max.</b> (w/ 1 µF X7R    22 µF poscap) 12 Vout models: <b>100 mVp-p max.</b> (w/ 1 µF X7R    22 µF poscap) 15 Vout models: <b>100 mVp-p max.</b> (w/ 1 µF X7R    22 µF poscap) 24 Vout models: <b>200 mVp-p max.</b> (w/ 4.7 µF X7R) 28 Vout models: <b>200 mVp-p max.</b> (w/ 4.7 µF X7R) 48 Vout models: <b>300 mVp-p max.</b> (w/ 2.2 µF X7R) 53 Vout models: <b>300 mVp-p max.</b> (w/ 2.2 µF X7R)
Capacitive Load	- 24 Vin input  - 48 Vin input	53 Vout models: <b>690 µF max.</b> 3.3 Vout models: <b>121'000 µF max.</b> 5 Vout models: <b>60'000 µF max.</b> 12 Vout models: <b>10'800 µF max.</b> 15 Vout models: <b>6'600 µF max.</b> 24 Vout models: <b>2'700 µF max.</b> 28 Vout models: <b>1'900 µF max.</b> 48 Vout models: <b>680 µF max.</b> 3.3 Vout models: <b>136'000 µF max.</b> 5 Vout models: <b>68'000 µF max.</b> 12 Vout models: <b>13'300 µF max.</b> 15 Vout models: <b>8'600 µF max.</b> 24 Vout models: <b>3'300 µF max.</b> 28 Vout models: <b>2'500 µF max.</b> 48 Vout models: <b>830 µF max.</b>
Minimum Load		<b>Not required</b>
Temperature Coefficient		<b>±0.02 %/K max.</b>
Start-up Time		<b>75 ms typ.</b>
Short Circuit Protection		<b>Continuous, Automatic recovery</b>
Output Current Limitation		<b>120 - 150% of Iout max.</b>
Overvoltage Protection		<b>115 - 130% of Vout nom.</b>
Transient Response	- Response Time	<b>200 µs typ. / 250 µs max.</b> (25% Load Step)

All specifications valid at nominal voltage, resistive full load and +25°C after warm-up time, unless otherwise stated.

### Safety Specifications

Standards	- IT / Multimedia Equipment	EN 60950-1 EN 62368-1 IEC 60950-1 IEC 62368-1 UL 60950-1 UL 62368-1
	- Certification Documents	<a href="http://www.tracopower.com/overview/tep160cmf">www.tracopower.com/overview/tep160cmf</a>
Pollution Degree		PD 2
Over Voltage Category		OVC II

### EMC Specifications

EMI (Emissions)	- Conducted Emissions	EN 55032 class A (internal filter)
	- Radiated Emissions	EN 55032 class A (internal filter)
EMS (Immunity)		EN 55024 (IT Equipment) EN 55035 (Multimedia)
	- Electrostatic Discharge	Air: EN 61000-4-2, $\pm 8$ kV, perf. criteria A Contact: EN 61000-4-2, $\pm 6$ kV, perf. criteria A EN 61000-4-3, 20 V/m, perf. criteria A EN 61000-4-4, $\pm 2$ kV, perf. criteria A EN 61000-4-5, $\pm 2$ kV, perf. criteria A
	- RF Electromagnetic Field	
	- EFT (Burst) / Surge	Ext. input component: 2x KY 220 $\mu$ F
	- Conducted RF Disturbances	EN 61000-4-6, 10 Vrms, perf. criteria A
	- PF Magnetic Field	Continuous: EN 61000-4-8, 100 A/m, perf. criteria A 1 s: EN 61000-4-8, 1000 A/m, perf. criteria A

### General Specifications

Relative Humidity		95% max. (non condensing)
Temperature Ranges	- Operating Temperature	-40°C to +75°C
	- Case Temperature	+115°C max.
	- Storage Temperature	-55°C to +125°C
Power Derating	- High Temperature	Depending on model
		See application note: <a href="http://www.tracopower.com/overview/tep160cmf">www.tracopower.com/overview/tep160cmf</a>
Over Temperature Protection Switch Off	- Protection Mode	120°C typ. (Automatic recovery at 105°C typ.)
	- Measurement Point	Case
Cooling System		Natural convection (20 LFM)
Sense Function		10% max. of Vout nom. (If sense function is not used, sense pins must be connected to corresponding polarity output pins.)
Remote Control	- Voltage Controlled Remote (passive = on)	On: 3.0 to 12 VDC or open circuit Off: 0 to 1.2 VDC or short circuit Refers to 'Remote' and '-Vin' Pin
	- Off Idle Input Current	3 mA typ.
	- Remote Pin Input Current	-0.5 to 1.0 mA
Altitude During Operation		5'000 m max. (for basic insulation) 2'000 m max. (for reinforced insulation)
Regulator Topology		Forward Converter
Switching Frequency		225 - 275 kHz (PWM) 250 kHz typ. (PWM)
Insulation System		Reinforced Insulation
Working Voltage (rated)		145 VAC (3.3 and 5 Vout models) 185 VAC (48 and 53 Vout models) 172 VAC (other output models)
Isolation Test Voltage	- Input to Output, 60 s	3'000 VAC
	- Input to Case, 60 s	1'600 VAC
	- Output to Case, 60 s	1'600 VAC

All specifications valid at nominal voltage, resistive full load and +25°C after warm-up time, unless otherwise stated.

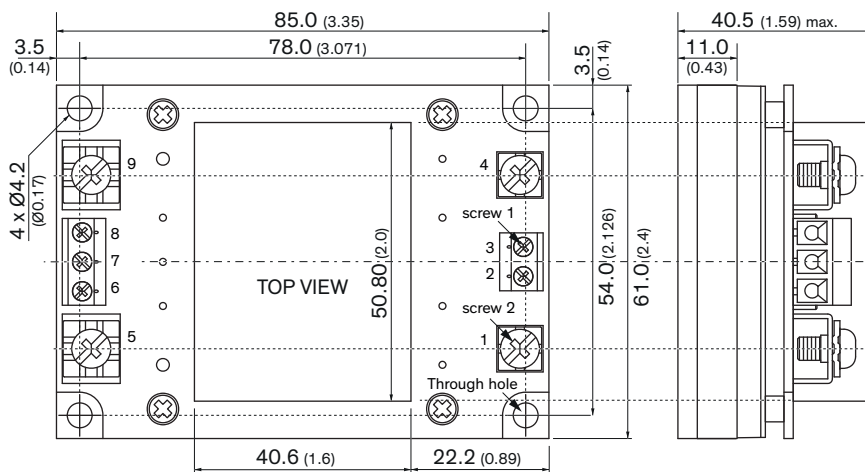
Isolation Resistance	- Input to Output, 500 VDC	1'000 MΩ min.
Isolation Capacitance	- Input to Output, 100 kHz, 1 V	2'500 pF max.
Reliability	- Calculated MTBF	380'000 h (MIL-HDBK-217F, ground benign)
Environment	- Vibration - Thermal Shock	MIL-STD-810F MIL-STD-810F
Housing Material		Metal
Base Material		Non-conductive FR4 (UL 94 V-0 rated)
Potting Material		Silicone (UL 94 V-0 rated)
Pin Material		Copper
Pin Foundation Plating		Nickel (2 - 3 μm)
Pin Surface Plating		Tin (3 - 5 μm), matte
Housing Type		Metal Case
Mounting Type		Chassis Mount
Connection Type		Screw Terminal
Weight		287 g
Thermal Impedance	- Case to Ambient	6.1 K/W typ.
Environmental Compliance	- REACH Declaration	<a href="http://www.tracopower.com/info/reach-declaration.pdf">www.tracopower.com/info/reach-declaration.pdf</a> REACH SVHC list compliant REACH Annex XVII compliant
	- RoHS Declaration	<a href="http://www.tracopower.com/info/rohs-declaration.pdf">www.tracopower.com/info/rohs-declaration.pdf</a> Exemptions: 7a, 7c-l (RoHS exemptions refer to the component concentration only, not to the overall concentration in the product (O5A rule).)
	- SCIP Reference Number	50980e87-b3bd-4fd0-97ad-bc2aa4f1d70a

### Supporting Documents

Overview Link (for additional Documents)

[www.tracopower.com/overview/tep160cmf](http://www.tracopower.com/overview/tep160cmf)

### Outline Dimensions



Pinout	
Pin	Single
1	-Vin (GND)
2	Case
3	Remote On/Off
4	+Vin (Vcc)
5	-Vout
6	-Sense
7	Trim
8	+Sense
9	+Vout

Dimensions in mm (inch)  
 Tolerances x.x ±0.5 (x.xx ±0.02)  
 x.xx ±0.25 (x.xxx ±0.01)  
 Mounting hole pitch tolerances ±0.25 (±0.01)

Screw 2:  
 Type M5  
 Head diameter 8.9 (0.350)  
 Rated current: 65 A

Wire gauge range:  
 AWG 14 - 26

The screw 1 locked torque: max. 5.2 kgfcm / 0.51 Nm  
 The screw 2 locked torque: max. 16.5 kgfcm / 1.65 Nm

Mounting screw locked torque: max. 11.2 kgfcm / 1.10 Nm