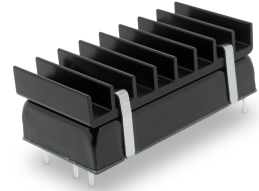


Heat Sink

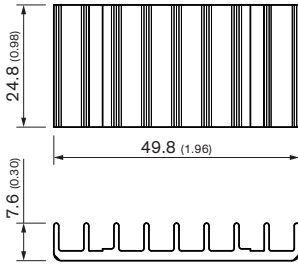
TEN-HS8

Order Code	TEN-HS8
Compatible with	TEN 30UIR, TEN 40E, TEN 40WIE, TEN 40WIR, TEN 40UIR, TEN 60N, TEN 60WIN, TEN 60WIR
Thermal Impedance	Please refer to converter datasheets
Package Content	Heatsink, thermal pad and 2 clamps
Material	AL 6063
Surface Finish	Anodized (black)
Weight	9.6 g (without converter)
RoHS Exemptions	No Exemptions
Overview Link	www.tracopower.com/overview/ten-hs8



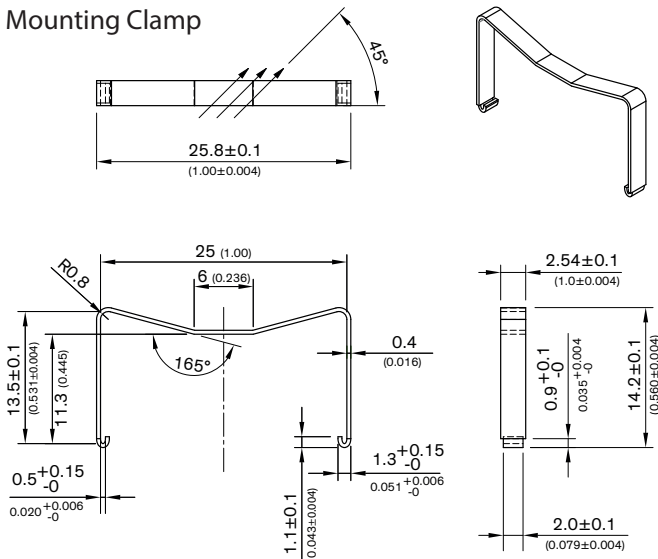
Outline Dimensions

Heat Sink



All dimensions in mm (inch)
 Tolerance: x.x ±0.5 (x.xx ±0.02)
 x.xx ±0.25 (x.xxx ±0.010)

Mounting Clamp



All dimensions in mm (inch)