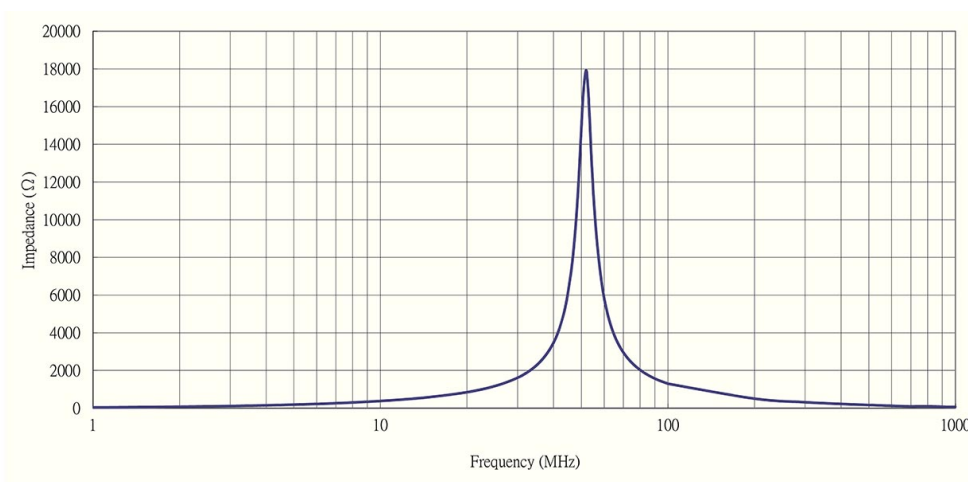


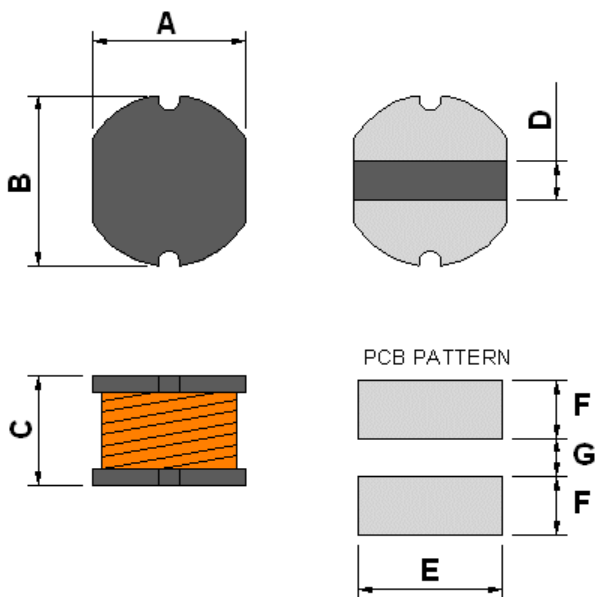
<b>Order Code</b>	<b>TCK-145</b>
<b>Inductance</b>	6.8 $\mu$ H $\pm$ 20% (at 1 kHz / 1 V)
<b>Impedance (DCR)</b>	300 m $\Omega$ max.
<b>Rated Current</b>	1 A max.
<b>Operating Temperature</b>	-40°C to +125°C
<b>RoHS Exemptions</b>	No Exemptions
<b>Overview Link</b>	<a href="http://www.tracopower.com/overview/tck-145">www.tracopower.com/overview/tck-145</a>



### Impedance Curve



### Outline Dimensions



Dimensions [mm]	
<b>A</b>	3.1 $\pm$ 0.5
<b>B</b>	3.5 $\pm$ 0.5
<b>C</b>	2.1 $\pm$ 0.5
<b>D</b>	1.2 typ.
<b>E</b>	3.6
<b>F</b>	1.7
<b>G</b>	0.8

All specifications valid at +25°C, unless otherwise stated.