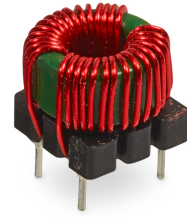
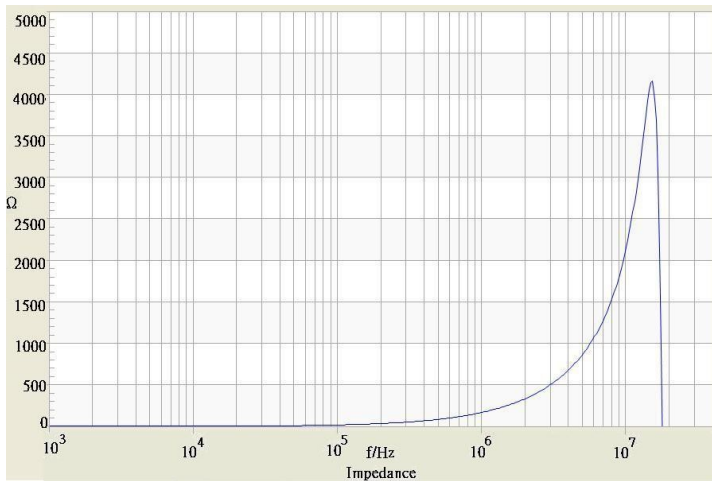


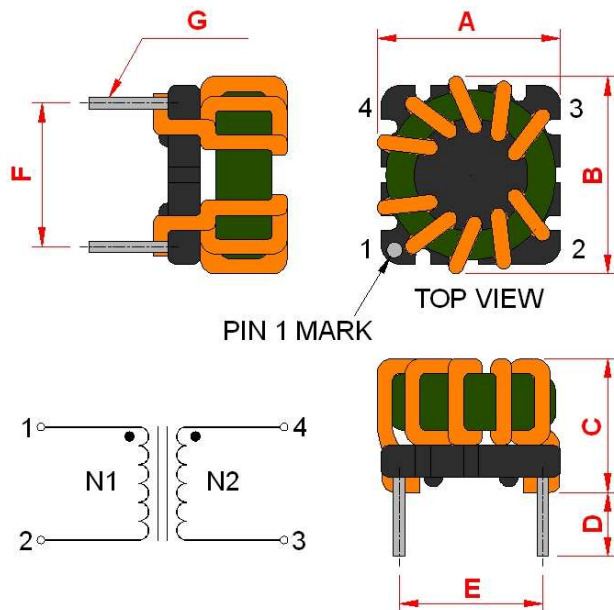
<b>Order Code</b>	<b>TCK-103</b>
<b>Inductance</b> (each winding)	285 $\mu$ H $\pm$ 35% (100 kHz / 100 mV)
<b>Impedance</b> (DCR)	6 m $\Omega$ max.
<b>Rated Current</b>	16 A max.
<b>Rated Voltage</b>	500 VDC max. (between windings)
<b>Operating Temperature</b>	-40°C to +105°C
<b>RoHS Exemptions</b>	No Exemptions
<b>Overview Link</b>	<a href="http://www.tracopower.com/overview/tck-103">www.tracopower.com/overview/tck-103</a>



### Impedance Curve



### Outline Dimensions



Dimensions [mm]	
<b>A</b>	16.0 max.
<b>B</b>	16.0 max.
<b>C</b>	15 max.
<b>D</b>	3.6 $\pm$ 0.3
<b>E</b>	10.0 $\pm$ 0.3
<b>F</b>	7.4 $\pm$ 0.3
<b>G</b>	$\varnothing$ 0.8

All specifications valid at +25°C, unless otherwise stated.