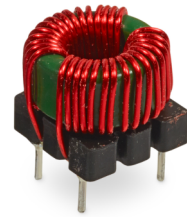
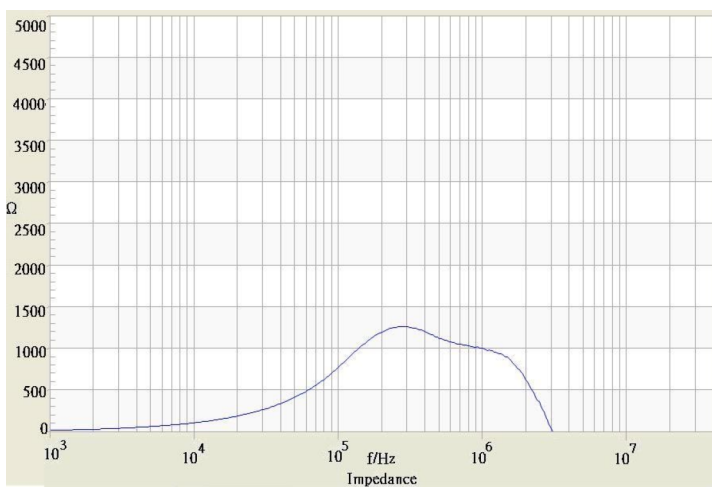


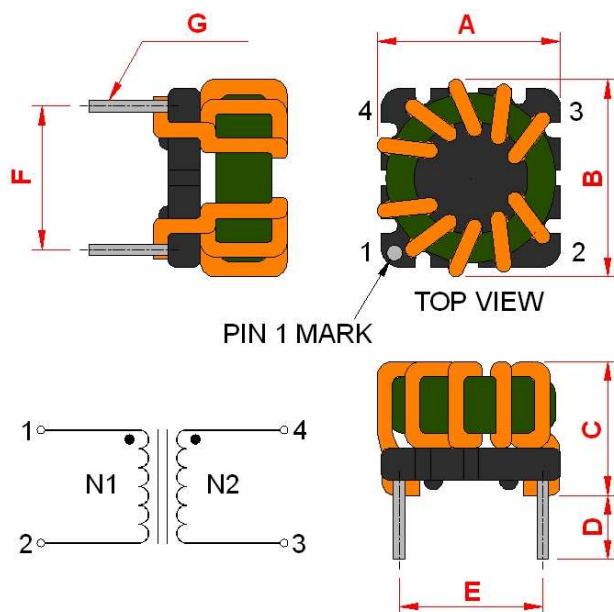
Order Code	TCK-064
Inductance (each winding)	1186 $\mu\text{H} \pm 35\%$ (at 100 kHz / 100 mV)
Impedance (DCR)	24 m Ω max.
Rated Current	5.8 A max.
Rated Voltage	500 VDC max. (between windings)
Operating Temperature	-40°C to +105°C
RoHS Exemptions	No Exemptions
Overview Link	www.tracopower.com/overview/tck-064



Impedance Curve



Outline Dimensions



Dimensions [mm]	
A	16.0 max.
B	16.0 max.
C	15 max.
D	4.0 ± 0.3
E	10.0 ± 0.3
F	7.4 ± 0.3
G	$\varnothing 0.8$

All specifications valid at +25°C, unless otherwise stated.