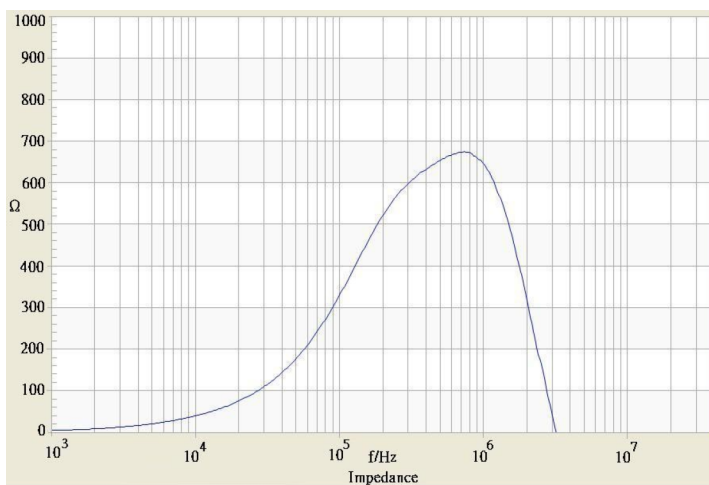


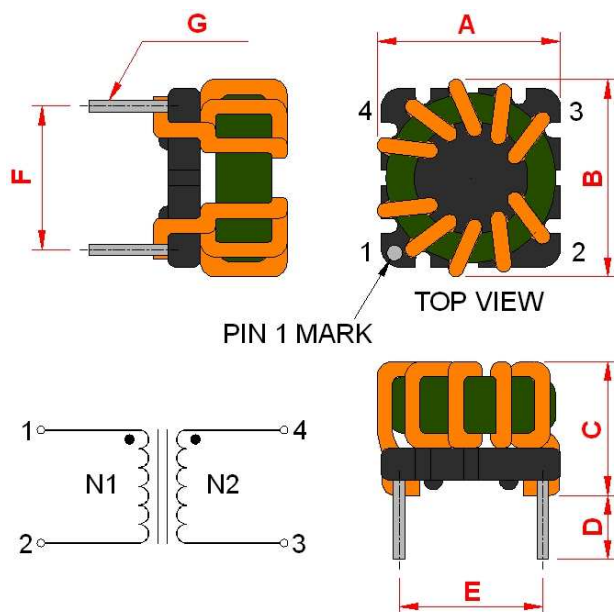
| | |
|----------------------------------|--|
| Order Code | TCK-048 |
| Inductance (each winding) | 450 μ H \pm 35% (at 100 kHz / 100 mV) |
| Impedance (DCR) | 25 m Ω max. |
| Rated Current | 5.2 A max. |
| Rated Voltage | 500 VDC max. (between windings) |
| Operating Temperature | -40°C to +125°C |
| RoHS Exemptions | No Exemptions |
| Overview Link | www.tracopower.com/overview/tck-048 |



Impedance Curve



Outline Dimensions



| Dimensions [mm] | |
|-----------------|-----------------------------|
| A | 11.5 max. |
| B | 11.5 max. |
| C | 9.8 max. |
| D | 2.5 min. |
| E | 7.62 \pm 0.2 |
| F | 7.62 \pm 0.2 |
| G | \varnothing 0.6 \pm 0.1 |

All specifications valid at +25°C, unless otherwise stated.