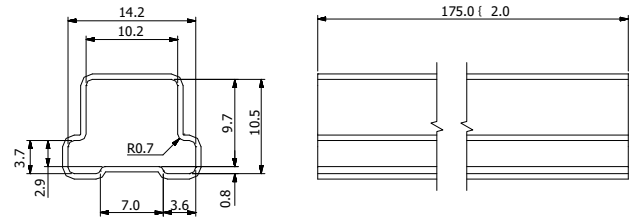


Tube, Tape & Reel dimension - Single Output Models

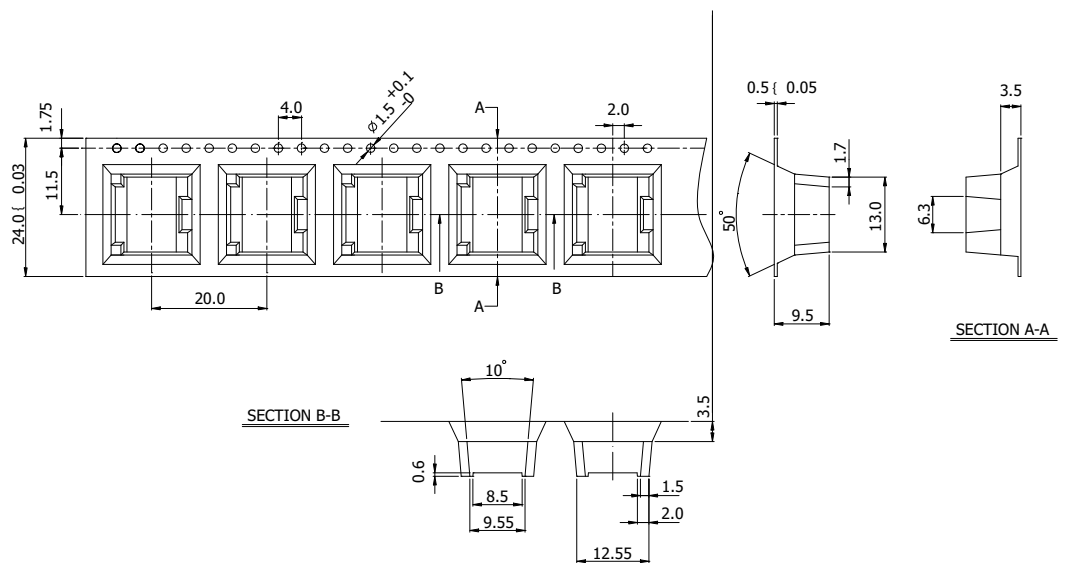
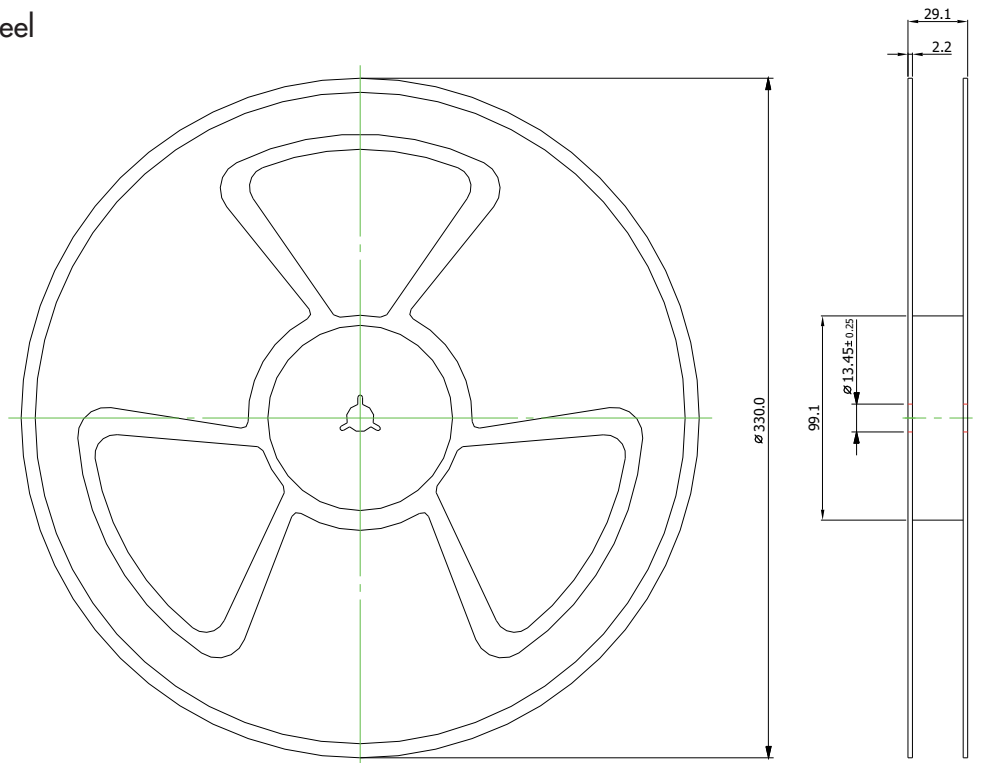
Standard Packaging - Tube

- 1 Tube contains 10 converters



Optional Packaging - Tape & Reel

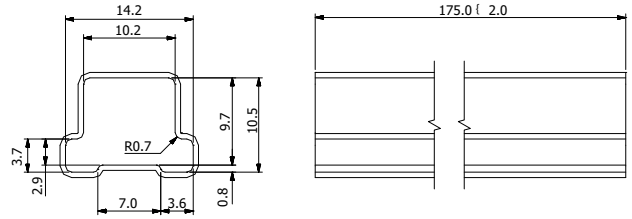
- Specifications according IEC 286-3
- 1 Reel contains 350 converters
- Use appendix «-TR» on order code



Tube, Tape & Reel dimension - Dual Output Models

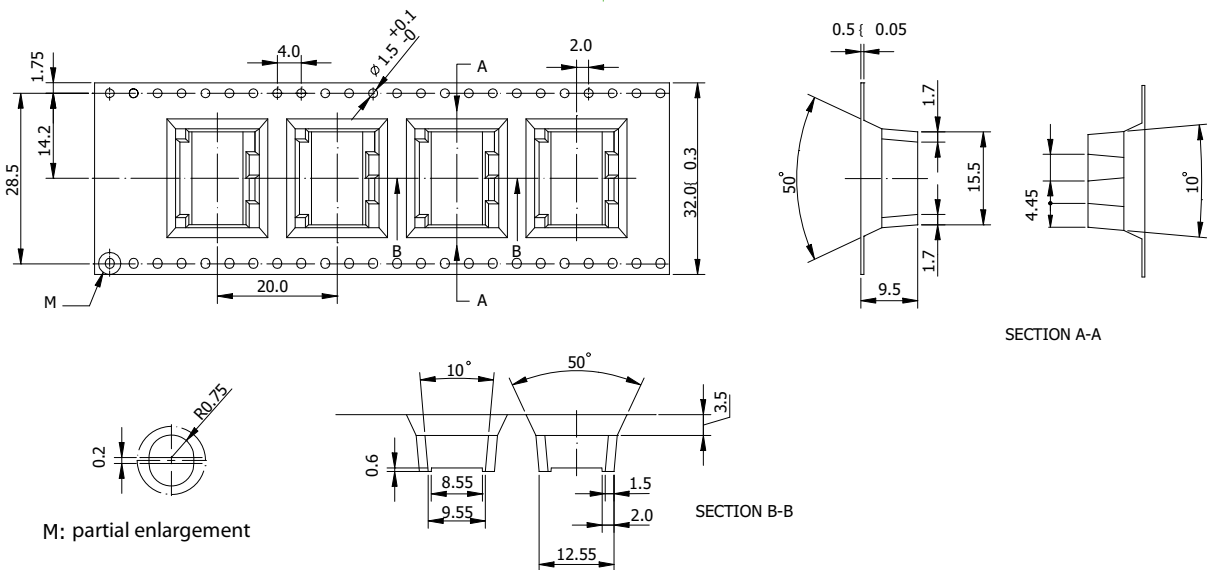
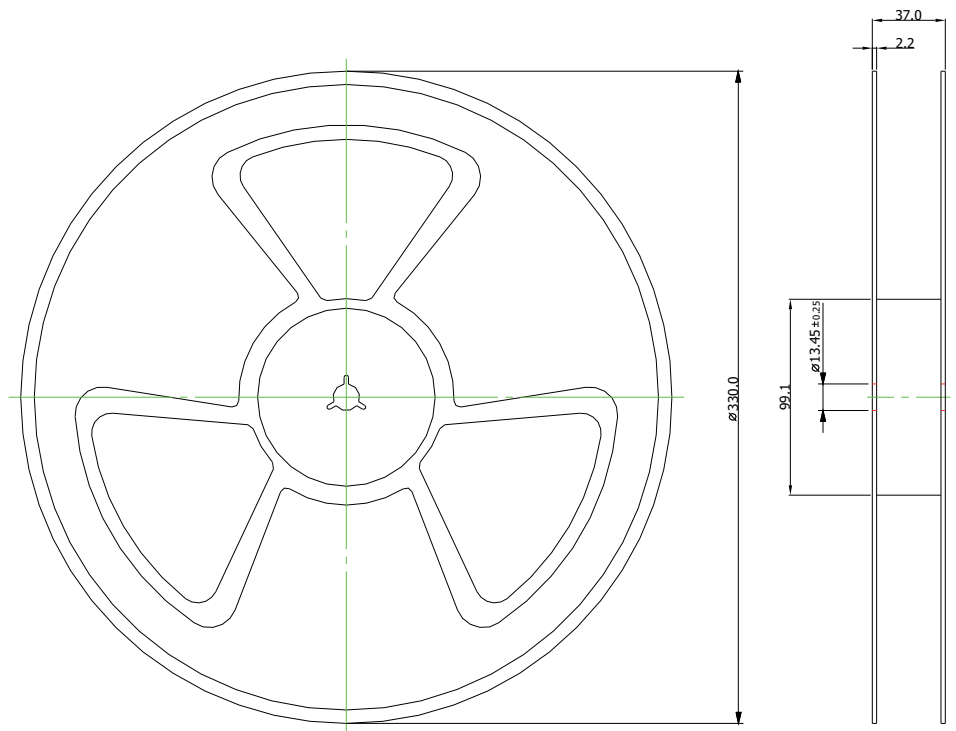
Standard Packaging - Tube

- 1 Tube contains 10 converters



Optional Packaging - Tape & Reel

- Specifications according IEC 286-3
- 1 Reel contains 350 converters
- Use appendix «TR» on order code



Specifications can be changed any time without notice.

Dimensions in [mm], Tolerance ±0.1mm